

TECHNICAL DATA SHEET

This range of Incandescent & Halogen type beacons is a cost effective solution for signalling applications where a more robust & powerful signal is required. These beacons are of the flashing mode type (single stage alarm) and once the unit is energised, the internal electronics will cycle the lamp through a 1Hz on/off sequence. The design allows for termination inside the enclosure through the base aperture. The 15W & 21W units incorporate a Fresnel lens to maximise light intensity.

Part Code:	Voltage:	Light Source:	Current:
#-84	12v Dc ---	Ba15d x 21 W	1.75 A
#-85	24v Dc ---	Ba15d x 21 W	0.88 A
#-88	12v Dc ---	H1 x 55 W	4.70 A
#-89	24v Dc ---	H1 x 70 W	3.00 A
FF200-86	115v Ac ~	Ba15s x 15 W	0.13 A
FF200-87	230v Ac ~	Ba15s x 15 W	0.07 A
FF400-86	115v Ac ~	E14 x 60 W	0.55 A
FF400-87	230v Ac ~	E14 x 60 W	0.29 A

code = FF201/FF401 units

Lens Colour Selection

01 = Amber, **02** = Red, **03** = Blue, **04** = Green, **05** = Clear.

Key Features

- Terminals except up to 2.5mm² cable
- Ingress Protection: Weatherproof to IP65
- Case Material: UV Stable Polycarbonate Lens, UV Stable ABS Base
- Operating Temperature: -25°C to +55°C
- Continuously Rated
- AC Supply: 50/60Hz as standard

Optional Equipment

50001 Mounting Bracket (FF201/200 series only)
50004 Mounting Bracket (FF401/400 series only)
50010 Cage Guard (cannot be used in conjunction with wall brackets)
50158 IP66 Weatherproof Band (FF201/200 series only)
50080 Anti Vibration Mount (FF201/200 series only)
Magnetic mount versions available (FF201/200 series only)

Moflash part code S00576



INSTALLATION & TECHNICAL INFORMATION

PLEASE READ PRIOR TO INSTALLATION



FF201/200 & FF401/400 - (Flashing Filament)

VISUAL SIGNALLING DEVICES

APPROVALS AND
CONFORMITIES



Website: www.moflash.com

Email: technical@moflash.co.uk

INSTALLATION DATA SHEET

FF201/200 Series

Carefully twist lens firmly one turn clockwise to remove from base. Remove the inner lens assembly from the base of the unit. Fix base to the required surface, utilising rubber gasket, with 2 x M4 screws (not supplied). Insert power cable through aperture in base & connect to terminal block on underside of lens assembly.

For DC units connect Positive lead to the terminal block marked '+' & Negative lead to terminal block marked '-'. The termination is polarity conscious. For AC units connect Live lead to terminal block marked 'L' & Neutral lead to 'N'. The termination is polarity conscious (see picture 1).

To re-assemble, position the lens assembly in the base noting the position of the three internal mounting lugs. Fix the assembly onto the lugs using the 3 x No.4 screws supplied. Replace lens onto base ensuring that the base spigot 'O' ring is in place. Twist lens one turn anti-clockwise to lock and check that the 'O' ring is positioned correctly and not caught or snagged.

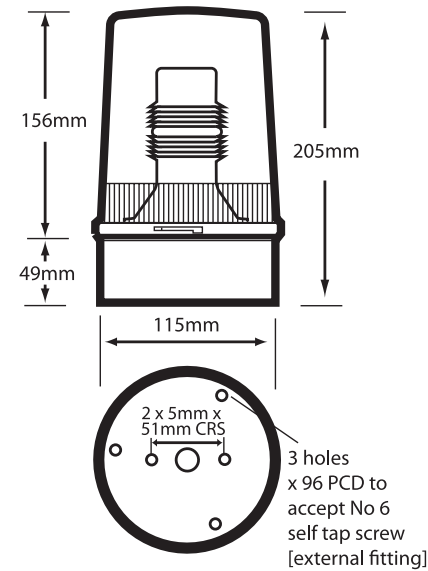
FF401/400 Series

Connection to this type of unit is either into the three way barrier strip situated in the base of the unit (standard connection) or via the M20 side conduit entry. If M20 is the preferred method then the two wires in the barrier strip in the base need to be unscrewed and freed from the barrier strip. Un-screw 3 x No. 4 screws that retain the base plate & carefully remove, threading the wires through the aperture. Un-screw the same two wires from the internal terminal block. Carefully drill out the M20 entry & using the appropriate cable gland, insert power cable into unit connecting to the internal terminal block. Screw base plate back into position. Fix base to the required surface using the supplied gasket with 3 x M6 Hex set screws and nuts (not supplied).

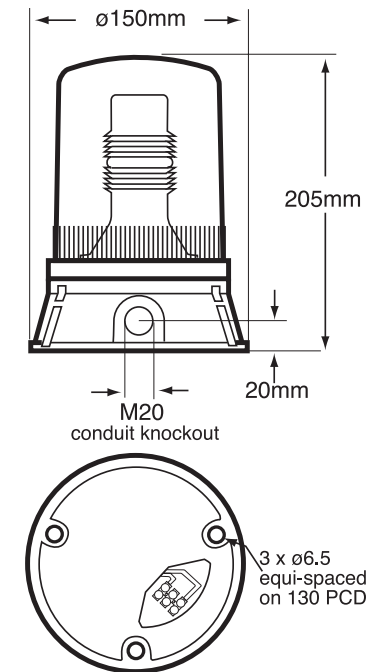
General Installation Notes

- Installation must be carried out in accordance with the latest codes and regulations by a qualified electrician.
- Ensure power is disconnected prior to installation or maintenance.
- Environmental exposure conditions during installation should be dry, not moist or wet.
- The lens of the unit is Polycarbonate Plastic. Do not clean with petroleum based cleaners.
- For all installations, mount the beacon with the lens above the base. Any other mounting position will impair the IP rating (Ingress Protection) of the unit.
- Avoid mounting the beacon where it will be subject to excessive vibration.

FF201/200 Series



FF401/400 Series



Picture 1

