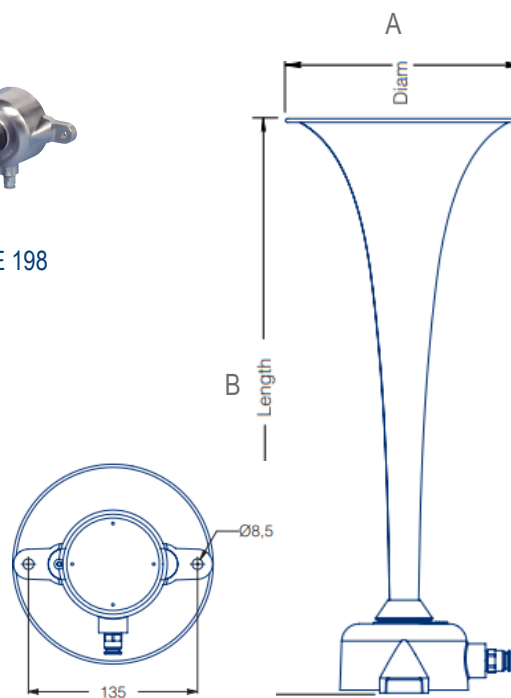


Acoustic Signals - Industrial PNEUMATIC AIR DRIVEN HORNS



Acoustic Signals Pneumatic Air Driven Horns > TDE Series

Product overview

The TDE range of air horns are a pneumatic (Non-electrical) devices that need to be powered by compressed air supply.

They are suitable for industrial & marine environments where a very high sound and very low frequency outputs are required for signalling over medium to larger size areas.

The units produce the classic 'Fog Horn' sound and are suitable for general signalling applications.

The length of the trumpet will dictate the wavelength of sound waves produced by the unit and therefore the frequency of the note produced. In general the lower the frequency of the note produced the further the sound will travel.

Dimensions (mm)

REF	TDE198	TDE360	TDE450
A	130	160	130
B	198	387	450

Features

- Continuously rated
- Robust construction
- Very high sound output
- Coverage from 600 to 1000m
- Very low frequency tone
- Wide operating air pressure
- Suitable for wall or pole mounting
- Dustproof and Weatherproof

Material

Brass horn with mat black finish
Stainless steel membrane

TDE Pneumatic Air Driven Horns > Ordering Information

Code No:	Air Pressure:	Air Consumption:	Frequency:	dB:
TDE 198 72973k	2 - 10 Bar	120-210 Ltr/min	660 Hz	116-138
TDE 360 72972k	1.5 - 10 Bar	90-210 Ltr/min	377 Hz	116-132
TDE 450 72971k	1.5 - 10 Bar	90-210 Ltr/min	307 Hz	116-132

Kg 1.2 à 1.4

°C -30+90

IP 66

dB 116 to 138

INDUSTRIAL

MARINE

APPROVALS and
CONFORMITIES

