

Industrial Visual Flashing Signal - 5 Joule Series FL40



14598E00

- > Strobe available in 5 Joule
- > IP65 as standard
- > Visual alarm device for fire alarm systems
- > CPR compliant
- > EN54 Part 23
- > Flame retardant ABS enclosure
- > Lens available in six different colours
- > 360 degree visibility
- > High flash intensity
- > Reliable and simple to install
- > Complements audible alarm system
- > Large coverage volume as per EN 54 part 23
- > Cost effective solution / cost effective fire alarm beacon



E5

Multi-purpose visual signalling device designed for use in industrial applications. Product series FL40 is designed to provide a flashing signal which can be used to alert, warn or draw attention to an event.

Red and clear FL40 VDS variants are certified to the product standard EN 54 part 23 and the construction product regulation for use as a visual alarm device as part of a fire alarm system.

Approvals

Certificates	
 LISTED 7N39	UL 1638
 0086-CPR-637384	Construction products regulation 305/2011/EU in respect of EN 54-23 : 2010
 KM 637383	BS EN 54-23 : 3010
	Cert.Nr.: G 28714 EN 54-23 : 2010, VdS 2344 : 2012-07, Vds 2504 : 1996-12/5.6

Industrial Visual Flashing Signal - 5 Joule

Series FL40



Selection Table

Version	Enclosure colour	Flash energy	Rated operational voltage	Lens colour	Order number	Art. no.	Weight
FL40 Xenon Strobe, CE marked, Standard Devices	red normal (RN)	5 Joule	24 V DC	amber	FL40/D50/A/RN	204955	0.260
				red	FL40/D50/R/RN	204994	0.260
				green	FL40/D50/G/RN	204984	0.260
				opal	FL40/D50/O/RN	204989	0.260
				blue	FL40/D50/B/RN	204969	0.260
				clear	FL40/D50/C/RN	204976	0.260
			115 V AC	amber	FL40/L50/A/RN	205012	0.250
				red	FL40/L50/R/RN	205019	0.250
				green	FL40/L50/G/RN	212341	0.250
				opal	FL40/L50/O/RN	212342	0.250
				blue	FL40/L50/B/RN	212343	0.250
				clear	FL40/L50/C/RN	212344	0.250
			230 V AC	amber	FL40/N50/A/RN	205026	0.250
				red	FL40/N50/R/RN	205047	0.250
				green	FL40/N50/G/RN	205039	0.250
				opal	FL40/N50/O/RN	205042	0.250
				blue	FL40/N50/B/RN	205033	0.250
				clear	FL40/N50/C/RN	212346	0.250
FL40 Xenon Strobe, UL certification	red normal (RN)	5 Joule	24 V DC	amber	FL40/D50/A/RN/UL	205058	0.260
				red	FL40/D50/R/RN/UL	205061	0.260
				green	FL40/D50/G/RN/UL	212347	0.260
				opal	FL40/D50/O/RN/UL	212349	0.260
				blue	FL40/D50/B/RN/UL	212350	0.260
				clear	FL40/D50/C/RN/UL	212351	0.260
			115 V AC	amber	FL40/L50/A/RN/UL	205062	0.250
				red	FL40/L50/R/RN/UL	205064	0.250
				green	FL40/L50/G/RN/UL	212352	0.250
				opal	FL40/L50/O/RN/UL	212353	0.250
				blue	FL40/L50/B/RN/UL	212354	0.250
				clear	FL40/L50/C/RN/UL	212355	0.250
			230 V AC	amber	FL40/N50/A/RN/UL	205065	0.250
				red	FL40/N50/R/RN/UL	212356	0.250
				green	FL40/N50/G/RN/UL	212357	0.250
				opal	FL40/N50/O/RN/UL	212358	0.250
				blue	FL40/N50/B/RN/UL	212359	0.250
				clear	FL40/N50/C/RN/UL	212360	0.250
FL40 Xenon Strobe, CE, CPR EN54-23, VDS and Kitemark device	red normal (RN)	5 Joule	24 V DC	clear	FL40/D50/C/RN/VDS	204977	0.260
				red	FL40/D50/R/RN/VDS	205000	0.260
	white normal (WN)		24 V DC	clear	FL40/D50/C/WN/VDS	204979	0.260
				red	FL40/D50/R/WN/VDS	211905	0.260

Note Other voltages and variants are available. Please contact your local sales office for more details

Industrial Visual Flashing Signal - 5 Joule Series FL40



Technical Data

Electrical data

Rated operational voltage	24 or 48 V DC	
	115 or 230 V AC	
Current consumption	24 V DC	306 mA
	48 V DC	157 mA
	115 V AC	100 mA
	230 V AC	98 mA
Line monitoring	monitor via reverse polarity	

Luminous characteristics

Light source	Xenon flash tube		
Flash energy	5 Joule		
Flash rate	1/s		
Light intensity		effective candela	candela seconds
	clear	72.10	14.44
	red	8.92	1.186
	amber	25.52	5.111
	blue	14.09	2.82
	green	29.70	5.946
	opal	65.78	13.17
Lens colour	amber, red, green, opal, blue, clear		

Ambient conditions

Operating temperature range	standard variants	-25 ... +55 °C
	UL certified variants	-35 ... +66 °C
	VDS certified variants	-25 ... +40 °C
Storage temperature	-40 ... +70 °C	
Max. relative humidity	90 % ± 3 % at 40 °C	

Mechanical data

Material	
Enclosure	ABS, flame retardant
Lens	Polycarbonate
Assembly parts	Stainless steel fixings
Labels	Polyester foil, adhesive
Degree of protection	IP65 acc. IEC 60529

Mounting / Installation

Assembly	All units are supplied separate from the back box for ease of installation. The back box must be mounted with the two cable entries at the top or bottom. The back box should be mounted to a reasonably flat surface or to a standard junction box, using any of the internal mounting holes. A gasket is supplied, should the surface be uneven, or if the unit is to be used in wet conditions. To maintain the integrity of the weather seal, the cable must be fitted using a suitable sealed gland. The installation is completed by fitting the beacon onto the back box by means of the supplied screws.
Connection	2.5 mm ² terminals

E5

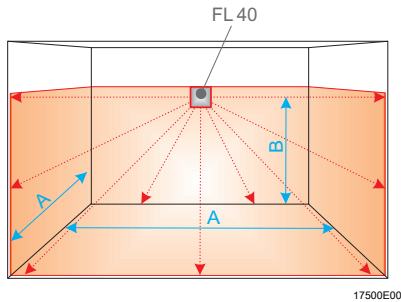
Industrial Visual Flashing Signal - 5 Joule Series FL40



Coverage Volume

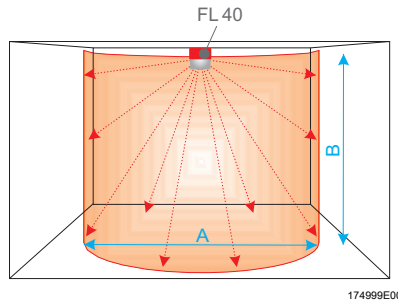
Wall Mounted Devices

Cuboid coverage area with minimum 0.4 Lux as per EN54-23



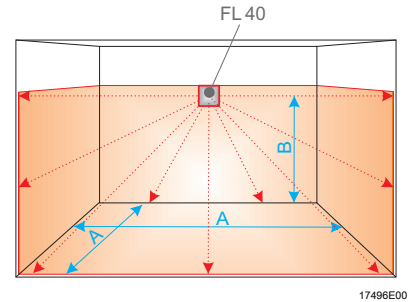
Ceiling Mounted Devices

Cylindrical coverage area with minimum 0.4 Lux as per EN54-23



Open Class Devices

Coverage volume specified by manufacturer with minimum 0.4 Lux as per EN54-23



A - Maximum width of cuboid or diameter of cylindrical coverage area
B - Maximum installation height of visual alarm device

Example

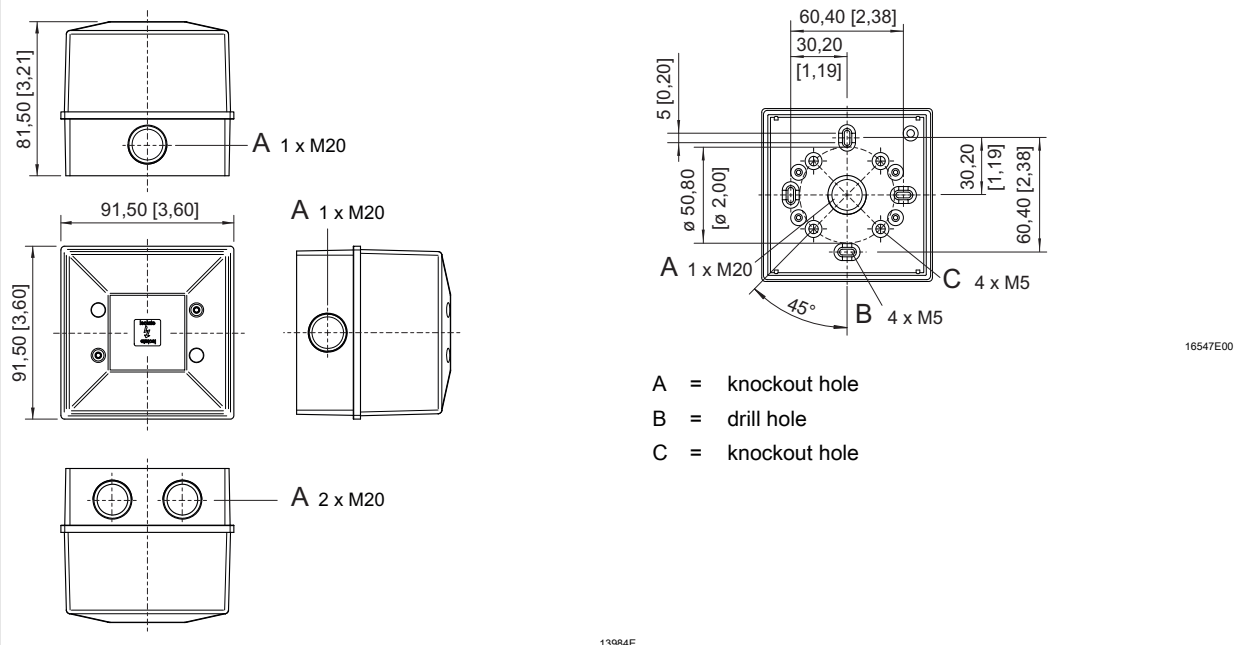
W-3 (B) - 9.5 (A)

Certified coverage areas

	FL40 clear lens	FL40 red lens
Ceiling mounted	C-9-12	C-3-6
Wall mounted	W-3-9.5	W-2.5-2.7
Open class	O-8.8-8.8	O-5-2.7

Note: Each device is marked for ceiling, wall and open class

Dimensional Drawings (All Dimensions in mm [inches]) - Subject to Alterations



We reserve the right to make alterations to the technical data, dimensions, weights, designs and products available without notice. The illustrations cannot be considered binding.