



# Acoustic & Visual Signals - Industrial

## XENON BEACONS

### Industrial Acoustic & Xenon Beacons > X194 Combination Series

#### Product overview

The X194 combination series is suitable for status indication, process control & industrial applications.

These units offer a versatile range of multi signalling combinations. Beacons are fitted together to give up to five different colour sequences with the addition of an audible option giving a possible six stage alarm device.

The Xenon beacons (sometimes called strobes) are controlled via a PCB and put out a very brief but bright flash of white light by ionizing and then discharging a large current through the xenon gas.

The design allows for termination in the uppermost beacon through an M20 knockout either through top or rear of the enclosure.

All signals can be controlled independently from each other.

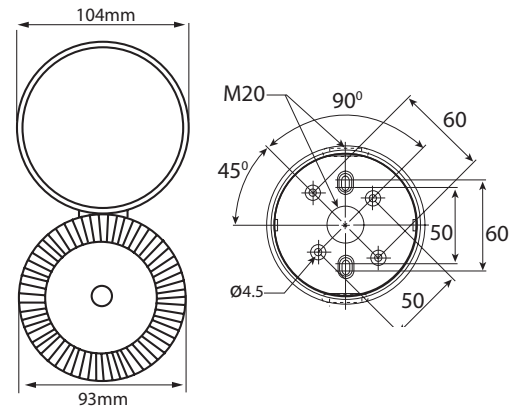
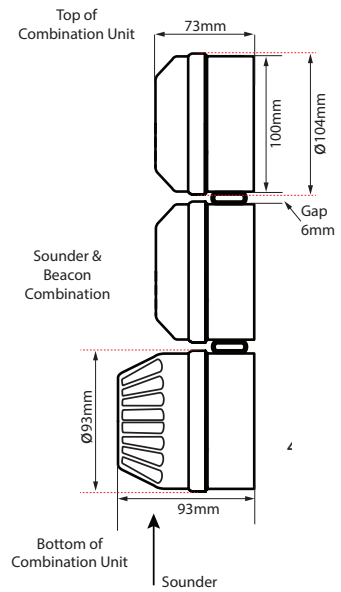
### X194 Combination Series > Ordering Information

Code No:	Description:	Voltage:	Light Source:	Current:
X194-02RD	Beacon only, Red Back Box	18-28v Dc ---	Xenon 2.5 J	180 mA
X194-02RS	Beacon / Sounder Red	18-28v Dc ---	Xenon 2.5 J	200 mA •
X194-02WH	Beacon only, White Back Box	18-28v Dc ---	Xenon 2.5 J	180 mA
X194-02WS	Beacon / Sounder White	18-28v Dc ---	Xenon 2.5 J	200 mA •
• Set at BS fire tone 104 dB				
X194-05RD	Beacon only, Red Back Box	180-265v Ac ~	Xenon 5.0 J	110 mA
X194-05RS	Beacon / Sounder Red	180-265v Ac ~	Xenon 5.0 J	130 mA •
X194-05WH	Beacon only, White Back Box	180-265v Ac ~	Xenon 5.0 J	110 mA
X194-05WS	Beacon / Sounder White	180-265v Ac ~	Xenon 5.0 J	130 mA •

Eg X194-02RS-01-02-04 Part code follows colour sequence order from sounder (last digit dictates top position)  
(24v Dc Unit, Red Sounder & Back Box + Amber, Red, Green beacons with Red Back Boxes)

ADD THE FOLLOWING LENS CODES TO THE PRODUCT WHEN ORDERING

01	02	03	04	05
----	----	----	----	----



#### Features

- Continuously rated
- Suitable for wall mounting
- 120° prime light output above the vertical axis for the beacons
- Sounder has 32 selectable tones
- Red (RD) or White (WH) back box colour choice
- Dustproof and Weatherproof

#### Material

UV Stable Polycarbonate Lens  
VO Rated ABS Back Box

**Kg** 0.21 each Sounder  
0.22 each Beacon

50/60 Hz

°C -25+55

IP 65

**FPM** 60

**INDUSTRIAL**

**dB** 100-111

**FIRE**

APPROVALS and CONFORMITIES

