

R201



RA201

Visual Signals - Industrial ROTATING BEACONS

Industrial Rotating Beacons > R201 & RA201 Series

Product overview

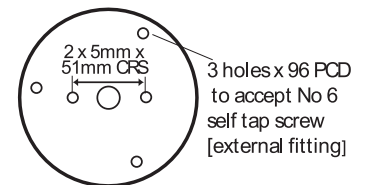
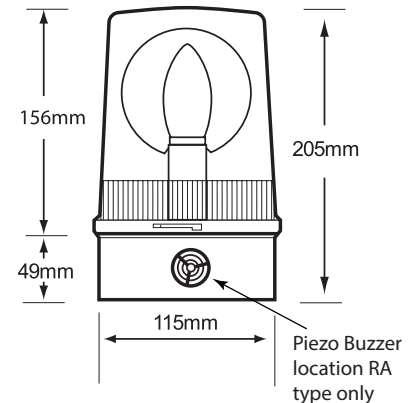
The R201 & RA201 series offer a cost effective, single stage alarm, suitable for a wide range of applications where a powerful & commanding signal is required.

It incorporates a parabolic reflector which, when energised, revolves around a continuously illuminated lamp. This creates a powerful beam of light that sweeps through 360 degrees. The

reflector is driven by a twin belt drive system that is powered by a series wound motor for 'AC' units and a permanent magnet motor for 'DC' units. The design allows for termination inside the enclosure through the base.

The RA201 series incorporates a piezo buzzer on the side of the base that is automatically activated when the light source is energised.

Independent buzzer control can be made to order.



R201 & RA201 Series > Ordering Information

Code No:	Voltage:	Light Source:	Current:
R201-13	12v Dc ---	H1 x 55w	4.70 A
R201-14	24v Dc ---	H1 x 70w	3.00 A
R201-29 •	24v Dc ---	Ba15s x 10w	0.60 A
R201-61 •	24v Dc ---	Ba15d x 21w	0.95 A

For Audible Option

RA201-20	12v Dc ---	H1 x 55w	4.70 A
RA201-21	24v Dc ---	H1 x 70w	3.00 A

- Diode Polarised for Fire Alarm Systems

ADD THE FOLLOWING LENS CODES TO THE PRODUCT WHEN ORDERING

01

02

03

04

05

Features

- Continuously rated
- Suitable for surface, conduit box or wall mounting
- Optional wall bracket & guard available - see accessories
- 2 point fix
- Magnetic base versions available
- Low current consumption options
- 360° light output around the vertical axis
- Dustproof and Weatherproof

Material

UV Stable Polycarbonate Lens

UV Stable ABS Mounting Base

Kg 0.83 R201
0.86 RA201

50 Hz

°C -10+55

IP 65

RPM 160 Dc

RPM 120 Ac

APPROVALS and
CONFORMITIES



dB 95 RA201



INDUSTRIAL



FIRE