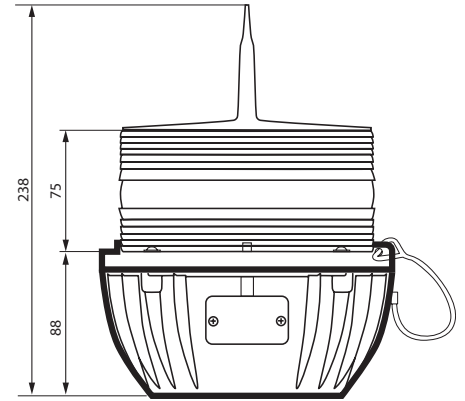


# Visual Signals - Obstacle Marking

## 10 Candela **BEACONS**

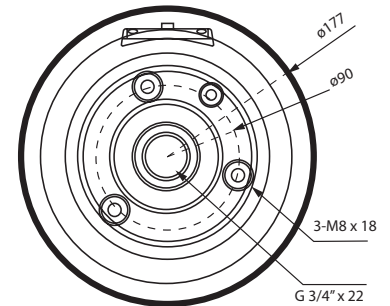


### Obstacle Marking : Low Intensity Mobile Obstacles > 10 Candela

#### Product overview

These portable marking lights are powered by a maintenance free 3.6v Nickel Metal Hydride battery. A mono crystal solar module fitted inside the lens keeps the battery fully charged and can provide enough power to keep the beacon operating non stop for 400 hours

in continuously cloudy and rainy days. A built in photocell switches the beacon on & off at dusk and dawn. The On/Off level is between 70/100 lux and is automatic. The unit incorporates an automatic switch after 18 hours in the dark to protect the battery life.



### 10 Candela > Ordering Information

Code No:	Voltage:	Light Source:	Effective Cd:
OLF-PS-10-02	3.6v / 10AH	LED	10

ADD THE FOLLOWING LENS CODES TO THE PRODUCT WHEN ORDERING **02**

#### Features

- Conforms to ICAO Annexe 14 Volume 1, Low Intensity Type A
- LED Long life and low maintenance
- Rugged construction
- 360° light output around the vertical axis
- Dustproof and Weatherproof

#### Material

Cast Aluminium with UV Stable  
Polycarbonate Lens

**Kg** 2.3

**°C** -20+80

**IP** 65

**FPM** 60



APPROVALS and CONFORMITIES

