

# **MOFLASH**

SIGNALLING

## **INSTALLATION & TECHNICAL INFORMATION**

PLEASE READ PRIOR TO INSTALLATION



### **LED701/700 Series - (LED Beacon)**

HIGH OUTPUT LED

MULTI-FUNCTIONAL VISUAL SIGNALLING DEVICES

APPROVALS AND  
CONFORMITIES



Website: [www.moflash.com](http://www.moflash.com)

Email: [technical@moflash.co.uk](mailto:technical@moflash.co.uk)

## **INSTALLATION DATA SHEET**

Unscrew the four plastic retaining screws that secure the Beacon lens to the back box. Carefully remove the conduit knockout required in the back box to suit the desired cable gland for installation. NOTE: Please ensure that the cable gland being used has the correct IP rating. Locate and fix the back box to an appropriate surface by using the 4 x 4.5mm fixing holes located in the base with 4mm screws (not supplied).

Secure the cable gland into the chosen conduit knockout, pull the power cable through and into the back box ready to make all connections.

### **Beacon Functionality and Testing**

The LED701/700 Series is suitable for Industrial & Marine signalling applications where a more powerful visual signal is required. The unit incorporates 64 extra bright; long-life LED's offering a high output, low maintenance signalling solution.

These Beacons have three pre-selectable stages of alarm. Flashing mode at either 60 or 120 FPM and a continuous (static) mode. These can be pre-set via a DIP switch on the PCB. The design also allows for a third wire control stage that can switch from continuous to a pre-set flashing mode.

The Beacons have the added benefit that they can be produced to incorporate 2 different colours in a single unit (32 LEDs of each colour), which can be controlled independently. This gives the added flexibility of incorporating 2 signals into a single high IP rated enclosure.

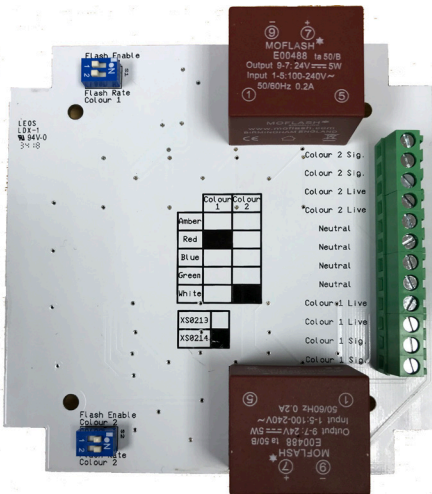
The input terminals are all designed as 2.5mm<sup>2</sup> Loop-in Loop-out giving the ability to daisy chain multiple Beacons together.

### **Connection and Control Details**

To operate the Beacon, connect the power supply to the required colours as indicated below. This range of Beacons are available as: 24v AC/DC **OR** 115-230v AC. As mentioned all connection terminals on the board are doubled to allow daisy chaining.

<b>Colour 2 Sig.</b>	Signal line connection for 3 <sup>rd</sup> wire flashing on Colour 2
<b>Colour 2 Live</b>	Main control voltage connection for Colour 2
<b>Neutral</b>	Neutral/0v connection for both colours
<b>Colour 1 Live</b>	Main control voltage connection for Colour 1
<b>Colour 1 Sig.</b>	Signal line connection for 3 <sup>rd</sup> wire flashing on Colour 1

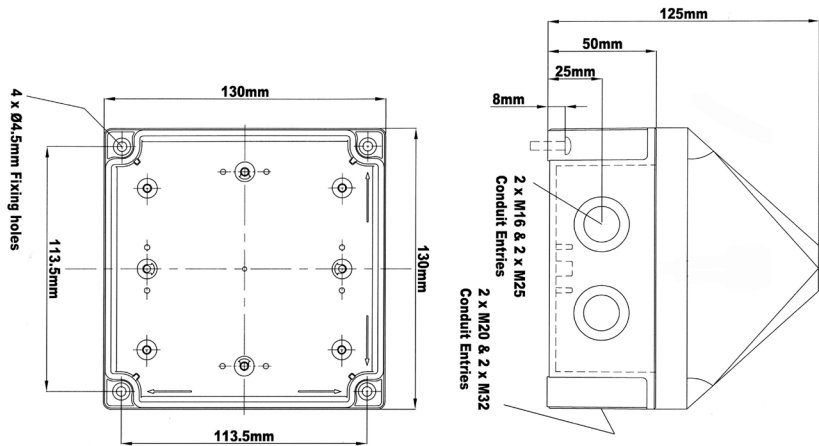
If only 1 colour is required on the Beacon (single colour unit), connections need to be made to the **Colour 1** Terminals only. The terminal layout can be seen on page 3.



The flash rates are controlled by changing the switch positions of S1 and S2. The flash enable side will change the output from static to flashing (60FPM), whilst the flash rate side will change the flash rate from 60 FPM to 120 FPM.

As with the voltage connections, only the **Colour 1** switch is required for single colour units.

### Unit Dimension



### Technical Data Sheet

The LED700/701 Series is suitable for internal or external use where a more powerful visual signal is required in general signalling applications. It produces a maximum 10W of flash energy with the light being emitted through 120 degrees above the vertical axis. Termination is inside the enclosure offering 4 conduit size options; 4 x M16, M20, M25 & M32 - 2 of each on opposite faces.

## Part Coding:

Part Code:	Voltage:	Colours:	Current:
LED701-02-01	20-30v AC/DC	64 AMBER SMT LEDs	350mA
LED701-02-02		64 RED SMT LEDs	350mA
LED701-02-03		64 BLUE SMT LEDs	350mA
LED701-02-04		64 GREEN SMT LEDs	350mA
LED701-02-05		64 WHITE SMT LEDs	350mA
LED701-02-XX		2x 32 SMT LEDs	350mA
LED700-05-01	90-370v DC --- 70-265v AC ~	64 AMBER SMT LEDs	60mA
LED700-05-02		64 RED SMT LEDs	60mA
LED700-05-03		64 BLUE SMT LEDs	60mA
LED700-05-04		64 GREEN SMT LEDs	60mA
LED700-05-05		64 WHITE SMT LEDs	60mA
LED700-05-XX		2x 32 SMT LEDs	60mA

The flexibility of this design allows for bespoke solutions where 2 colours are required within a single enclosure, allowing them to be controlled independently, as described by the -XX in the table above. In addition, an ambient light sensor option can be added, reducing the brightness of the LEDs when operated in a darkened environment. This in turn reduces the current consumption, prolonging LED life.

## Key Features

- Terminal Block accepts up to 2.5mm<sup>2</sup> cable incorporating rising clamp protectors
- Ingress Protection: IP66/67 & NEMA Class: 1, 4, 4X & 6
- Multiple Flash rates
- Operating Temperature: -25°C to +65°C
- Enclosure Material: UV Stable Polycarbonate Lens UL94 HB  
UV Stable Polycarbonate Base UL 746C 5”  
RAL 7035 Light Grey
- AC Supply: 50/60Hz

## General Installation Notes

- Installation must be carried out in accordance with the latest codes and regulations by a qualified electrician.
- Do not handle electronic components whilst wiring up, unless indicated above.
- Ensure power is disconnected prior to installation or maintenance.
- Environmental exposure conditions during installation should be dry. Moist or wet conditions should be avoided.
- The lens of the unit is Polycarbonate Plastic. Do not clean with petroleum based cleaners.
- Avoid mounting the Beacon where it will be subjected to excessive vibration.