



# Visual Signals - Industrial LED TRAFFIC LIGHT ASSEMBLY



## Industrial LED Traffic Light > LED TL Series - Factory Assembled

### Product overview

The LED Traffic Light has been designed for industrial & commercial signalling applications where a low maintenance, long life and a cost effective solution is required.

The TL system is suitable for car park management, factory traffic control, automated gate and door control systems.

The traffic light units are suitable for indoor or outdoor applications and incorporates 36 high output LED's.

The factory assembled units are available in double (Red & Green) or triple (Red, Amber & Green) mounting configurations and are supplied fully

assembled, pre-wired and mounted on wall brackets ready for immediate installation.

These units require external input signals or PLC control to switch visual indication functions (not supplied). All colour modules incorporate a jumper link on the PCB that allows the unit to flash once energised.

Termination is in the base of the bottom unit and can be accessed via 1 x M16 cable gland.

The mounting brackets allow the units to be off set against the mounting structure giving the traffic lights 180 degree of angle movement, optimising the visual indication position.

## LED TL Series > Ordering Information

Code No:	Voltage:	Light Source:	Current:
<b>Double Assembly Unit - Red &amp; Green Lens</b>			
LED-TL-01-02-04	8-20vAc/Dc ~	36 SMT LED's	480mA @ 12vDc
LED-TL-02-02-04	20-30vAc/Dc ~	36 SMT LED's	240mA @ 24vDc
LED-TL-03-02-04	35-85vAc/Dc ~	36 SMT LED's	155mA @ 48vDc
LED-TL-05-02-04	85-380vDc --- 85-280vAc ~	36 SMT LED's	70mA @ 230vAc
<b>Triple Assembly Unit - Red, Amber &amp; Green Lens</b>			
LED-TL-01-02-01-04	8-20vAc/Dc ~	36 SMT LED's	720mA @ 12vDc
LED-TL-02-02-01-04	20-30vAc/Dc ~	36 SMT LED's	360mA @ 24vDc
LED-TL-03-02-01-04	35-85vAc/Dc ~	36 SMT LED's	230mA @ 48vDc
LED-TL-05-02-01-04	85-380vDc --- 85-280vAc ~	36 SMT LED's	110mA @ 230vAc

### Features

- Continuously rated
- LED long life & extra bright
- Low current consumption
- Blue or white colour options available
- 120° prime light output above the horizontal axis
- Fully assembled & ready for immediate installation
- Dustproof and Weatherproof

### Material

UV Stable ABS Plastic Base  
UV Stable Polycarbonate Lens & Shroud

**Kg** 2 way 0.75 each  
3 way 1.10 each

50/60 Hz

°C -25+55

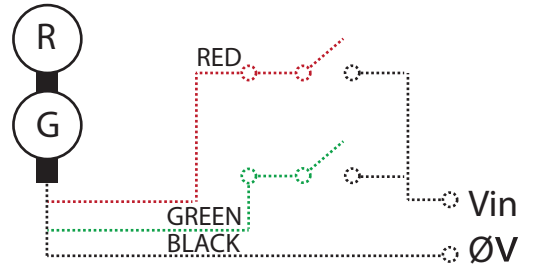
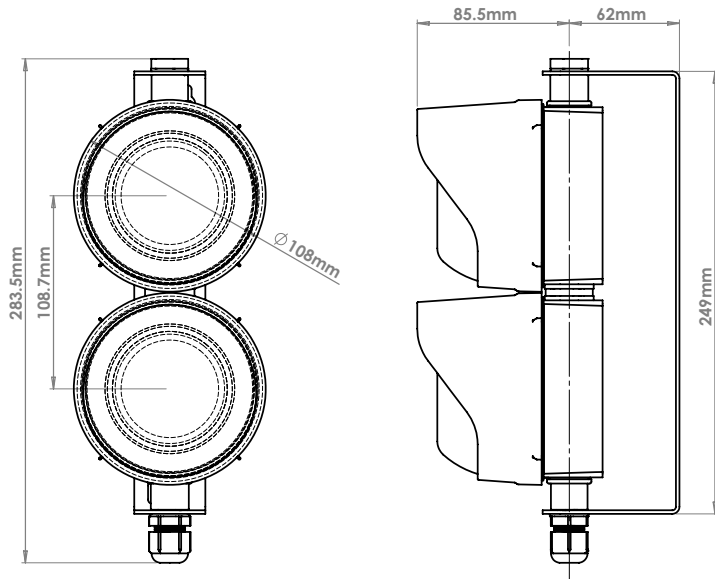
IP 65

**INDUSTRIAL**

APPROVALS and  
CONFORMITIES



## Double Traffic Light, Bracket Mount



## Triple Traffic Light, Bracket Mount

