

TECHNICAL DATA SHEET

This range of Incandescent type beacons is a cost effective solution for local signalling applications. These beacons are of the flashing mode type (single stage alarm) and once the unit is energised, the internal electronics will cycle the lamp through a 1Hz on/off sequence. Termination is inside the enclosure. The 3-Point fix design allows for termination through the base aperture via an M12 sealing grommet.

The FFA version incorporates two piezo buzzers situated in the base of the unit that are synchronised to the flash rate (the buzzers cannot be controlled independently of the light) offering a combined audible and visual warning device.

Voltage:	Light Source:	Current:	FFA125-80-83 Current:
12v Dc ---	Ba15d x 21w	1.75 A	1.80 A
24v Dc ---	Ba15d x 21w	0.88 A	0.90 A
115v Ac ~	Ba15d x 15w	0.13 A	0.16 A
230v Ac ~	Ba15d x 15w	0.07 A	0.08 A

Lens Colour Selection

01 = Amber, **02** = Red, **03** = Blue, **04** = Green, **05** = Clear.

Key Features

- Ingress Protection: Weatherproof to IP65
- Case Materials: UV Stable Polycarbonate Lens, UV Stable ABS Base
- Operating Temperature Range: -25°C +55°C
- AC Supply: 50/60 Hz
- Cabling Details: Will accept sheathed cable up to 7mm in diameter. Maximum 1.5mm² (14 – 22 AWG) stranded core with 4mm cut back.

FFA125-80-83

- Buzzers Frequency: 3.1kHz +/- 500Hz
- Audibility: 90 dBA +/- 3 @ 1 Metre

Optional Equipment

50003 Cage Guard (fixings supplied) Note: Guard cannot be used in conjunction with bracket.
50007 Right Angled Wall Bracket.

Moflash part code S00574



INSTALLATION & TECHNICAL INFORMATION

PLEASE READ PRIOR TO INSTALLATION



FF125 Series - (Flashing Filament)

FF125-80-83, FF125-90-93 & FFA125-80-83>

VISUAL & AUDIBLE COMBINATION SIGNALLING DEVICES

APPROVALS AND
CONFORMITIES



Website: www.moflash.com

Email: technical@moflash.co.uk

INSTALLATION DATA SHEET

FF125-80/83 2-Point Fix Base

If supplied with lens pre-fitted, remove the 2 x M4 screws that secure the lens to the base. Remove the inner PCB lamp assembly & fastener pouch. Fix base to the required surface, utilising rubber gasket, with 2 x M4 screws (not supplied). Insert power cable through aperture in base, enlarge if required & connect to PCB (see connection details below & picture 1). Place PCB lamp assembly into base noting the position of the two internal mounting lugs. Fix the PCB onto the lugs using the 2 x No: 4 screws supplied. Make sure that the base 'O' ring is in position before re/fitting the lens to base. Ensure the two screws are tightened evenly & a good all round seal is made.

FFA125-80/83 & FF125-90/93 3-point Fix Base

Remove 3 x M3 screws and the base plate from the body. Pierce the cable grommet. Insert power cable through the grommet. Connection is then made to the PCB located in the top of the body.

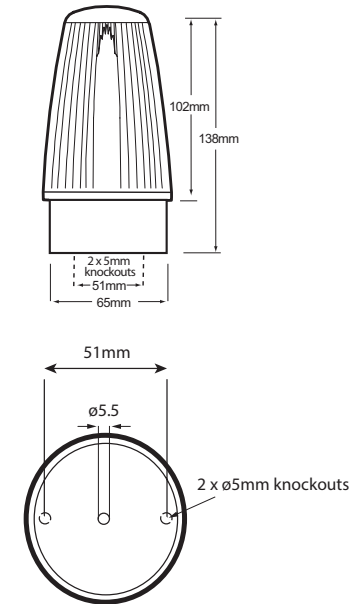
For DC units connect Positive lead to the terminal block marked '+' & Negative lead to terminal block marked '-'. The termination is polarity conscious. For AC units connect Live lead to terminal block marked 'L' & Neutral lead to 'N'. The termination is polarity conscious (see picture 1).

Once power connections have been made, gently push back the base plate so that excessive cable slack is taken up (being careful not to entangle the piezo buzzer wiring, if the beacon is an audible version) but leaving at least 10mm spare inside the body enclosure. Fit base plate back onto the body, insuring that the gasket is in place & secure with the 3 x M3 screws. Now slightly pull back by 10mm the power cable through the grommet to form a weatherproof seal. Fix base to required surface using 3 x M4 screws (not supplied).

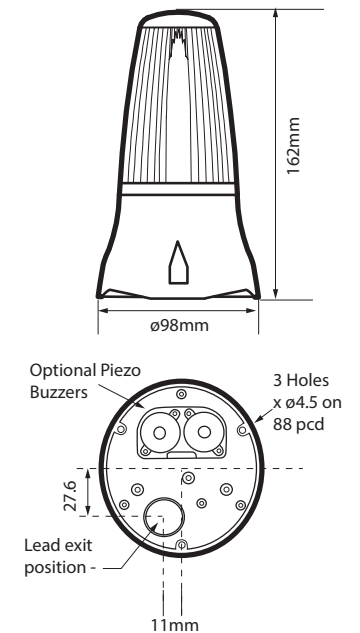
General Installation Notes

- Installation must be carried out in accordance with the latest codes and regulations by a qualified electrician.
- Ensure power is disconnected prior to installation or maintenance.
- Environmental exposure conditions during installation should be dry, not moist or wet.
- The lens of the unit is Polycarbonate Plastic. Do not clean with petroleum based cleaners.
- For all installations, mount the beacon with the lens above the base. Any other mounting position will impair the IP rating (Ingress Protection) of the unit.
- Avoid mounting the beacon where it will be subject to excessive vibration.

FF125-80-83 Series



FFA125-80-83 & FF125-90-93 Series



Picture 1

