

Visual Signals - Industrial FLASHING FILAMENT BEACONS



Industrial Flashing Filament Beacons > FF125 DIN & FFA125 Series

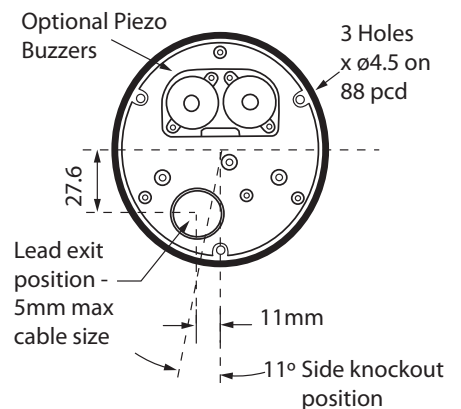
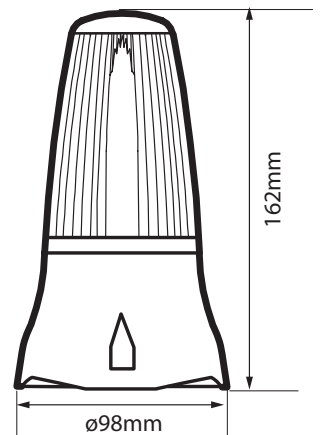
Product overview

The FF125 DIN and FFA125 series are suitable for security, process control & generally light industrial signalling applications.

These beacons are of the flashing mode type (single stage alarm). Once the beacon is energised the internal electronics will cycle the

Incandescent lamp through a 1Hz on/off sequence. The design allows for termination inside the enclosure via an M12 sealing grommet in the base.

The FFA version incorporates two piezo buzzers situated in the base of the unit that are synchronised to the flash rate (the buzzers cannot be controlled independently of the light) offering a combined audible & visual warning device.



FF125 DIN & FFA125 Series > Ordering Information

Code No:	Voltage:	Light Source:	Current:
FF125-90	12v Dc ---	Ba15d x 21w	1.75 A
FF125-91	24v Dc ---	Ba15d x 21w	0.88 A
FF125-92	115v Ac ~	Ba15d x 15w	0.13 A
FF125-93	230v Ac ~	Ba15d x 15w	0.07 A
For Audible Option			
FFA125-81	24v Dc ---	Ba15d x 21w	0.90 A
FFA125-82	115v Ac ~	Ba15d x 15w	0.15 A
FFA125-83	230v Ac ~	Ba15d x 15w	0.08 A

ADD THE FOLLOWING LENS CODES TO THE PRODUCT WHEN ORDERING



Features

- Continuously rated
- Suitable for surface or wall mounting
- Optional wall bracket & guard available - see accessories
- 3 point fix
- 360° light output around the vertical axis
- 180° light output above the horizontal axis
- Dustproof and Weatherproof

Material

UV Stable Polycarbonate Lens
UV Stable ABS Plastic Base

Kg 0.25

50/60 Hz

°C -25+55

IP 65

FPM 60

dB 90

APPROVALS and
CONFORMITIES

