



Manual Activation Control GRP CALL POINT

Explosion Proof Manual Call Point > GRP CP135 Series

Product overview

The CP135 manual call point range has been approved for use in potentially explosive atmospheres and harsh environmental conditions.

Typical applications are Oil and Gas, On-shore and Offshore, Chemical, Petrochemical, Refineries & Marine locations etc.

It is compatible for use with a PLC, DCS and ESD systems via 4-20mA

output. It is ideally suited for use in fire alarm systems and an addressable option with diode fitted is available.

The range also offers an additional visual LED indication option; red, green (or both) can be fitted. When fault or alarm status arises the green LED will be overridden by the red LED.

The design allows for termination inside the unit.

Features/Certifications

- Approved by ATEX, IECEx
- CQST (Available on request only)
- ATEX: II 2G Exd IIB +H₂ T4 - T6 (incorporating IIA)
- Zones 1, 2, 21 & 22
- Conforms to EN (IEC) 60079-0 EN (IEC) 60079-1 and EN54
- Dustproof & Weatherproof
- SIL 2 version available on request

CP135 Series > Ordering Information

	Switch	Duty Label	Tag Label	LED Indicator	Features	Cable Entry	Entry	Finish Colour
Standard Product Selection	S = Single Switch	Y = Yes	Y = Yes	L = Red & Green	F = Lift Flap	A = M20	T = Top Face	RD = Red
				R = Red	R = Resistor (specify)			YW = Yellow
	D = Double Switch	N = No	N = No	G = Green	D = Diode (specify)	B = M25	B = Bottom Face	BU = Blue
				N = No LED	N = No Features			BL = Black
								OR = Other

Follow the chart (right) to generate your part code.

MODEL CONFIGURATOR (By using the table above, complete this box sequence to select your required manual call point).

CP135								
	Switch	Duty Label	Tag Label	LED Indicator	Features	Cable Entry	Entry	Finish Colour

* Standard break glass label wording is: 'Break Glass Press Here'

Note: All customers orders will be confirmed in writing. Care should be taken that the correct code has been ordered as be-spoke manufactured products cannot be returned for exchange or credit later.

Kg 1.5

°C -40+70

IP 66

INDUSTRIAL

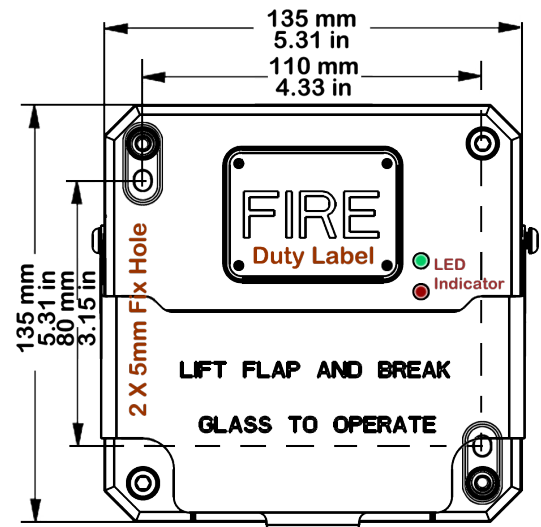
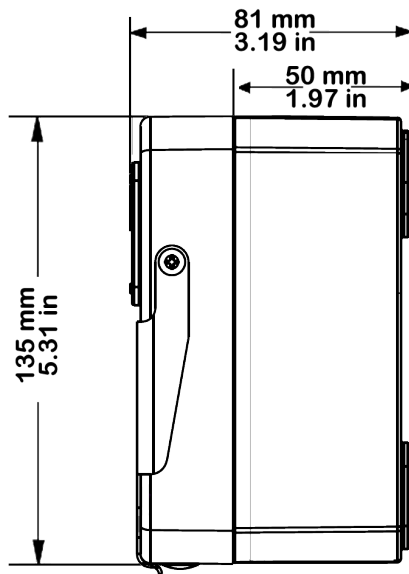
MARINE

FIRE

GRP

APPROVALS and CONFORMITIES





Explosion Proof Manual Call Point > GRP CP135 Series

General Information

EX CODE: Exd IIB+H₂ T4 - T6
CERTIFICATION: ATEX (Nemko 14 5454X), IECEx (NEM 14.0015X)
 CQST (Available on request only)
TYPE: Manual Call Point

Mechanical Specifications

MATERIAL: Enclosure: GRP (Glass Reinforced Plastic)
ENCLOSURE COLOUR: Red (RAL3001), Yellow (RAL1003)
 Blue (RAL5005), Black (RAL9004)
AMBIENT TEMPERATURE: -40 to +70
HUMIDITY: ≤ 95% RH
WEIGHT: 1.5 Kg / 3.31 lb
DIMENSIONS: Width/Length: 135mm / 5.31" Height: 80.5mm / 3.17"
INGRESS PROTECTION: IP 66

Electrical Specifications

SWITCH RATING: 30v Dc: 6A (Resistive), 6A (Inductive)
 250v Ac: 11A (Resistive), 6A (Inductive)
OUTPUT: On-Off Output (NC/NO)
TERMINATION: Accepts upto ≤ 2.5mm² incorporating rising clamp protectors
CABLE ENTRY: 2 x M20 or M25.
 For 1/2" or 3/4"NPT requirements, male/female adapter glands are available. Contact sales dept for further part codes.

Accessories

- 50200: M20 E1EX Nickel Plated Brass Gland (Multi Armour Cone) Atex Cat 2 & 3, EExde IIC 2 GD
Cable ID 11 - 15.5mm
OD 14.5 - 21mm
Gland for Multi Armoured Cable *
- 50201: M20 A2EX Nickel Plated Brass Gland Atex Cat 2 & 3, EExde IIC 2 GD
Cable OD 11 - 15.5mm
Gland for Unarmoured Cable *
- 50202: M20 E1EX-QS Nickel Plated Brass Gland (Ex d IIC, Ex e IIC, Ex nR IIC, Ex tb IIIC)
Cable OD 14.5 - 20.5mm
Barrier Gland for Steel and Aluminium Armoured Cable *
- 50203: M20 A2EX Quick Stop Nickel Plated Brass Gland (Ex d IIC, Ex nR IIC, Ex tb IIC)
Cable OD 9 - 15mm
Barrier Gland for Unarmoured Cable *
- 50204: M20 Nickel Plated Brass Stopping Plug Atex EExde I/IIC
Standard M20 Blanking Plug
- 50221: Epoxy Minute Adhesive 24m/l tube
One tube sufficient for five barrier glands

* 25mm Thread length for GRP products

Note: M25 options available for the above