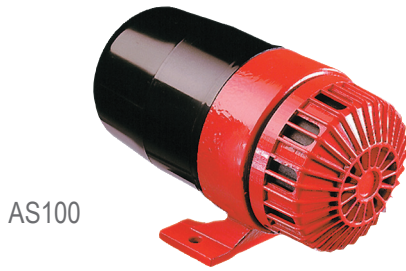


Acoustic Signals - Industrial

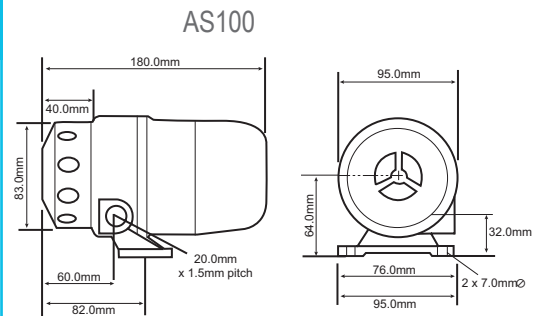
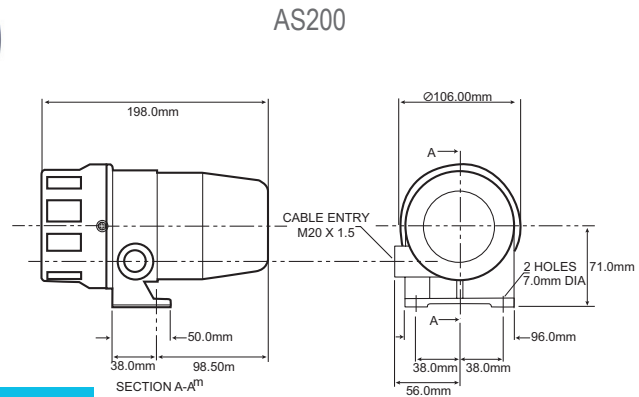
POWERFUL SIRENS



AS100



AS200



Acoustic Signals Industrial Sirens > AS100 & AS200 Series

Product overview

The AS100 & AS200 sirens were designed for a wide range of industrial signalling applications where a powerful high output signal is required.

The sirens incorporate a fractional horse power motor that drives an internal impeller at high RPM forcing air through the slotted front cover creating its unique penetrating sound.

The units offer a single stage alarm when energised but may be pulsed or modulated by simply turning the power on/off to produce the classic 'wailing' siren sound.

The units are of robust construction and suitable for use in harsh environmental conditions.

Design allows for termination inside the enclosure via 1 x M20 conduit entry.

Features

- Continuously rated
- Suitable for wall or pole mounting
- Omni-directional 360° coverage
- Very high sound output
- Dustproof and Weatherproof (when mounted with impellor below black ABS casing)

Material

Cast Aluminium Body
ABS Rotor, Stator and Cover

AS100 & AS200 Sirens > Ordering Information

Code No:	Voltage:	Frequency:	Current:
AS100 (Klaxon Mono 72)			
AS100-04MF	115v Ac/Dc~	1800 Hz	1 A
AS100-05MF	230v Ac/Dc~	1800 Hz	0.5 A
AS200 (Klaxon Duplo)			
AS200-05MF	230v Ac/Dc~	1600 Hz	1.2 A

Kg 1.7 AS100
2.0 AS200

50/60 Hz

°C -30+45

IP 65

dB 120dB AS100
127dB AS200



APPROVALS and
CONFORMITIES

