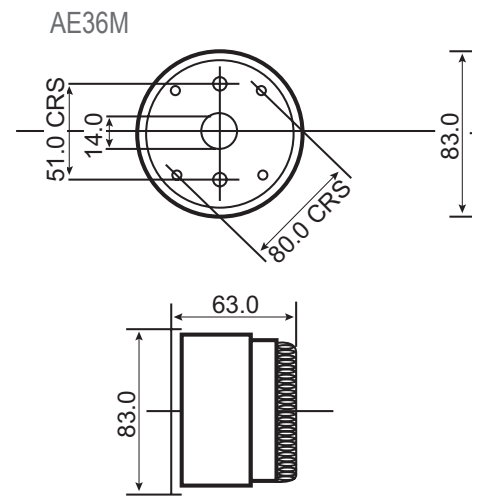
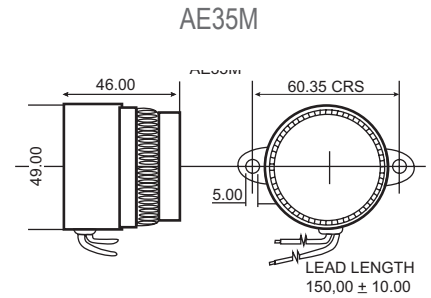
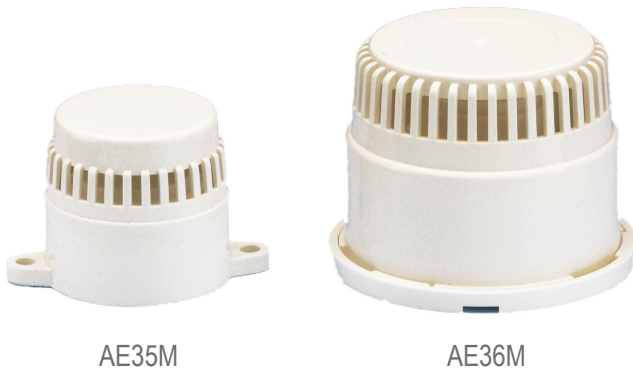


# Acoustic Signals - Industrial PIEZO BUZZERS



## Acoustic Signals Industrial Buzzers > AE35M & AE36M Series

### Product overview

The AE35M (P40) and AE36M (P60) are piezo buzzers designed for use in security, process control and a wide range of industrial applications where a compact but more powerful acoustic signal is required.

The units offer a single stage alarm and can either be pulsed or continuous, selection made by a third wire. The AE35M is installed using the external mounting lugs. The AE36M uses a separate mounting plate where the main buzzer can be snap fitted into place allowing for termination inside the enclosure. These products were formerly supplied by Klaxon.

### AE35M & AE36M Series > Ordering Information

Code No:	Voltage:	Frequency:	Current:
AE35M-02	6-28v Dc ---	3200Hz	50 mA •
AE36M-02	6-28v Dc ---	3200Hz	57 mA •

• At 24v Dc ---  
Frequency +/- 500      dB at prime voltage +/- 3dB

### Features

- Continuously rated
- Higher sound output
- Economical
- AE35M: Suitable for panel or surface mounting
- AE36M: Suitable for panel, conduit box or surface mounting
- Wide voltage range

### Material

ABS Plastic

**Kg** 0.06 AE35M  
0.10 AE36M

**°C** -20+60

**IP** 30

**dB** 98 AE35M  
105 AE36M



APPROVALS and  
CONFORMITIES

