

## TECHNICAL DATA SHEET

### Rating

Due to heat build-up during the normal operation of the buzzer it has a Maximum ON time of 15 minutes and a minimum OFF time of 5 minutes. It is possible to increase the ON time by use of a timer, cycling the buzzer tone ON & OFF to reduce heat build-up and extend the signal duration...

To maintain the IP rating of the horn always ensure that the trumpet is fixed at 90 degrees or less from the mounted Vertical access. This helps keep the inner trumpet free from fluids & debris etc.

Part Code:	Voltage:	Frequency:	Current:
ABHF8-1437	24/48v Ac/Dc.~.	420 Hz	0.80 A
ABHF8-1436	115/230v Ac/Dc.~.	420 HZ	0.4/0.2 A

### Key Features

- Terminals except up to 2.5mm<sup>2</sup> cable
- Ingress Protection: Weatherproof IP65
- Case Material: Brass with Powder Coated Trumpet Assy & Dome Cover  
Pressed Steel internal housing, Powder Coated  
Pressed Steel mounting bracket, Powder Coated
- Operating Temperature: -30<sup>0</sup>c to +60<sup>0</sup>c
- AC Supply 50/60Hz

### Maintenance & Adjustment

The buzzer is adjusted to give its best performance before leaving the factory. No further adjustment is required.



## INSTALLATION & TECHNICAL INFORMATION

PLEASE READ PRIOR TO INSTALLATION



### ABHF8 Series Industrial & Marine Buzzer

AUDIBLE SIGNALLING DEVICE

APPROVED AND  
CONFORMITIES



## **1.0 Introduction**

The buzzer is a powerful weatherproof electromechanical vibrating type signal used for general signalling applications in marine and industrial environments.

The unit should on be mounted using the mounting bracket fitted to the trumpet assembly flange, utilising the 1 x 10mm (25/64") mounting hole.

The buzzer should only be attached to services that can adequately support its weight.

## **Installation**

Once the ideal position for the buzzer has been chosen and has been secured in place.

Carefully remove the 1 x M4 pozi/countersunk screw holding the rear dome cover in place and remove the cover.

Feed the shrouded power cable through the plastic grommet situated in the dome cover.

The grommet will comfortably fit an 8mm (5/16") shrouded cable but can be cut back further to accommodate larger cable sheath. Ideally a tight fit between the grommet & power cable is desirable.

The connection terminal block is located on the back of the buzzer housing. Remove the 1 x pozi self-tapping screw holding the terminal block lid in place & retain.

Cable termination size is up to 2.5mm<sup>2</sup> a three way block marked 'L' = Positive/Live, the Earth/Ground in the middle & 'N' = Negative/Neutral. Cut end cable tails back to suit best fit and terminate in the terminal block. Ideally no bare wire should protrude outside of the terminal block housing. Snap fit the terminal block lid into place & fix into position with the retained 1 x pozi self-tapping screw.

Carefully replace the dome cover ensuring that the power cable is pulled through the grommet evenly.

Fix cover in place with retained 1 x pozi/countersunk screw.

## **General Installation notes**

- Installation must be carried out in accordance with the latest codes and regulations by a qualified electrician.
- Ensure power is disconnected prior to installation or maintenance.
- Environmental exposure conditions during installation should be dry, not moist or wet.
- Avoid mounting the sounder where it will be subject to excessive vibration.

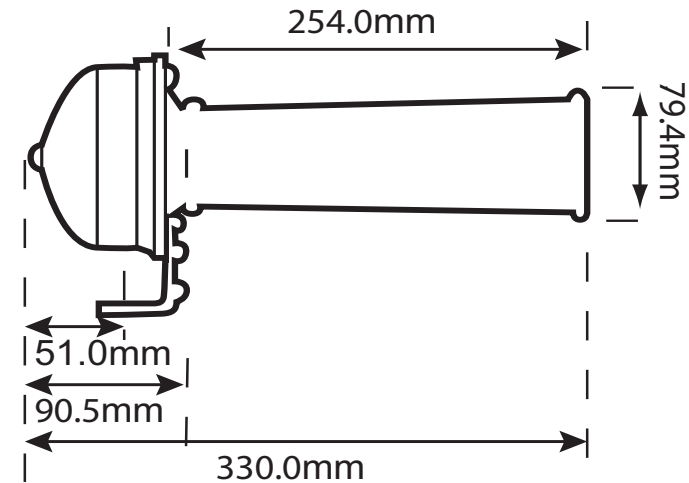


Diagram 1

