

## X80-02 MULTI-VOLTAGE XENON BEACON

### LOW VOLTAGE AND EMC DIRECTIVES

This beacon is CE-marked to show compliance with the Low Voltage Directive 73/23/EEC and the Electromagnetic Compatibility Directive 89/336/EEC. To maintain compliance with these directives it is necessary that installation is carried out in accordance with this instructions-if in doubt a qualified electrician should be consulted.

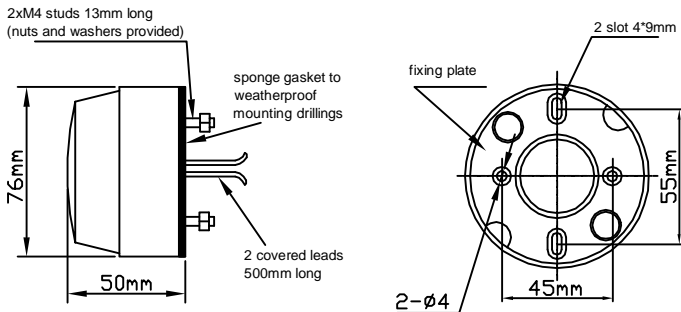
1. This beacon is designed to comply with IP67 when correctly installed. To ensure a weatherproof installation the beacon must be fitted with the foam gasket and mounted on a flat panel or surface. The panel or surface should be drilled to accept the wires and M4 studs as shown.(see below)

**The power supply to the beacon must be fitted with a 500mA fuse.**

**Access to the power supply wires must be prevented either by fitting a suitable sleeve or by means of an insulating barrier.**

2. Connect the 2 wires to a suitable power source (10-100Vdc)  
(20-72Vac)  
ensuring that the red wire is connected to the positive terminal.

### X80-02 BECON



### X80-02 BEACON RANGE INSTALLATION

