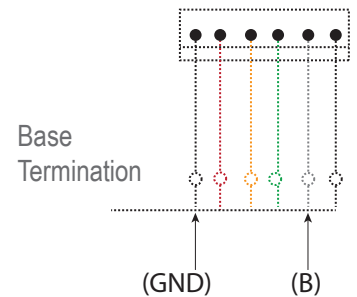
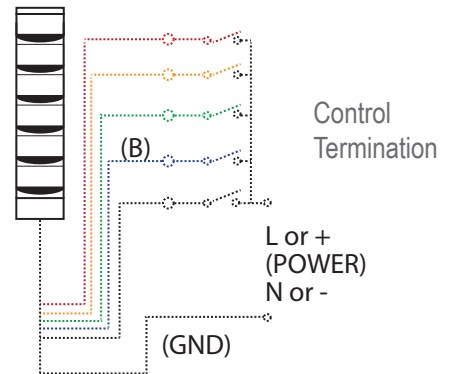
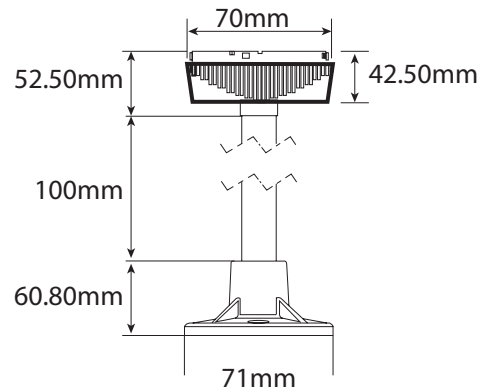


Visual Signals - Industrial LED ECO BEACONS



Termination to the 'B' Contact Controls a Blue LED and/or an Audible Module

Industrial LED ECO Beacons > LED-TLM Series - Accessories

Product overview

This mounting stand assembly is designed for use with the Eco LED-TLM 70mm Tower light range. It is supplied complete with mounting foot, 100mm long pole, wiring connection base & top cap.

The LED modules or buzzers are easily assembled onto the assembly. Wiring termination is in the base unit. The assembly has been designed for weatherproof applications and is supplied with a mounting gasket.

LED-TLM Series - Accessories > Ordering Information

Code No:	Description:
LED-TLM-FCP100	Mounting Base incorporating 100mm Pole with Foot and Cap

Features

- Suitable for Surface Mounting
- Compact & Lightweight
- Quick & Easy Installation
- Dustproof and Weatherproof

Material

Black 94V2 rated ABS Plastic
Aluminium Alloy Stand

Kg 0.18

°C -25+55

IP 65

INDUSTRIAL

APPROVALS and
CONFORMITIES

