

Visual Signals - Obstacle Marking

10 & 32 Candela BEACONS



Obstacle Marking: Low Intensity Lights > 10 & 32 Candela Series

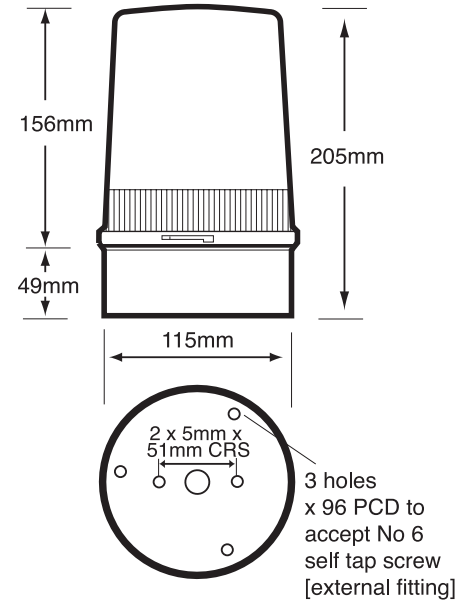
Product overview

This range of Obstacle Lights have been designed to offer a more cost effective option for compliance to the low intensity ICAO regulations. The 10 and 32 Candela both incorporate low consumption Red LED arrays. A power rating of 8 watts for the 10 Cd and 12 watts for the 32Cd

lend themselves for use with photocell control if required. The typical application is marking fixed objects in or around aerodromes where the object is a less extensive one and its height above the surrounding ground is less than 45m. These beacons can be used in conjunction with medium and high intensity lights.

10 & 32 Candela > Ordering Information

Code No:	Voltage:	Light Source:	Mode:	Current:	Effective Candela:
OLS-02-10-02	24v Ac/Dc~	LED	Static	0.33 A	10
OLS-03-10-02	48v Ac/Dc~	LED	Static	0.16 A	10
OLF-02-10-02	24v Ac/Dc~	LED	Flashing	0.33 A	10
OLS-04-10-02	230v Ac/Dc~	LED	Static	0.04 A	10
OLF-04-10-02	230v Ac/Dc~	LED	Flashing	0.04 A	10
OLS-02-32-02	24v Ac/Dc~	LED	Static	0.50 A	32
OLS-03-32-02	48v Ac/Dc~	LED	Static	0.24 A	32
OLF-02-32-02	24v Ac/Dc~	LED	Flashing	0.50 A	32
OLS-04-32-02	230v Ac/Dc~	LED	Static	0.05 A	32



Features

- Conforms to ICAO Annexe 14 Volume 1, Low Intensity Type A (10Cd) & Type B (32Cd)
- Continuously rated
- LED long life and extra bright
- Suitable for surface, conduit box or wall mounting
- Optional wall bracket & guard available - see accessories
- 2 point fix
- 360° light output around the vertical axis
- Dustproof and Weatherproof

Material

UV Stable Polycarbonate
 Lens & Base
 Stainless Steel Sealing Band

Kg 0.6

50/60 Hz

°C -20+45

IP 66

FPM 60/90

ICAO OBSTACLE MARKING

APPROVALS and CONFORMITIES

