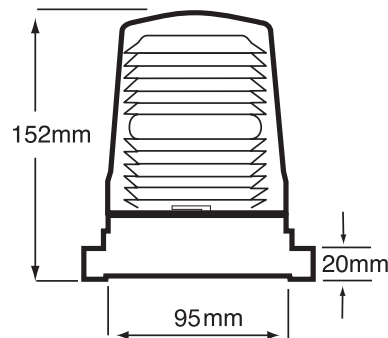


LIGHT EMITTING DIODE

BEACON



Industrial LED Beacon > 250 Series

Product overview

The LED250 is a robust, long-life beacon suitable for a wide range of applications. Rated at IP67, the unit is able

to withstand the harshest of weather conditions and has the added benefit of built-in anti-vibration protection.

Features

Long life

IP67

Built-in anti-vibration protection

Continuous, flashing or rapid flash modes

Material

Elastic TPF

Plastic cap

Code No:	Voltage:	Light Output:	Current:
LED250-18	24v Dc ---	LED	350 mA
LED250-22	230v Ac ---	LED	40 mA



Kg 0.45

50/60 **Hz**

°C -20+50

IP 67

INDUSTRIAL

APPROVAL AND CONFORMITIES



ADD THE FOLLOWING LENS CODES TO THE PRODUCT CODE WHEN ORDERING

01 **02** **03** **04** **05**