

# Visual Signals XENON

## BEACONS



X195 & X197  
Deep Base Option



X195 Shallow Base Option

## Industrial Xenon Beacons > X195 - 5J / X197 - 10 J Series

### Product overview

The X195 Series utilises a discharge capacitor and converter circuit to ignite xenon gas inside a tube resulting with a flash of light igniting virtually instantaneously for immediate maximum brightness. Xenons have an added advantage of

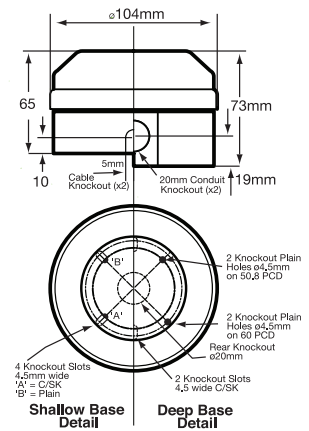
low current consumption combined with a reasonable life span and are one of the most efficient, effective and brightest visual signals available. The X195 Series offers shallow base and deep base options. The X197 Series is a 10 Joule Xenon, offering only a deep base option and has restrictive use (see technical datasheet).

### Features

- Continuously rated - X195 only
- Suitable for use with conduit BESA box
- Suitable for surface or wall mounting
- M20 side entry (deep base only) or bottom cable entry - X195 only
- Bottom cable entry - X197 only
- IP65

### Material

- UV Stable Polycarbonate Lens
- UV Stable ABS Plastic Base



Code No:	Voltage:	Light Source:	Current:
<b>5 Joules Version</b>			
X195-02WH-SB	15-28v Ac/Dc $\sim$	Xenon 5.0 J	310 mA
X195-02WH	15-28v Ac/Dc $\sim$	Xenon 5.0 J	310 mA
X195-05WH-SB	180-265v Ac $\sim$	Xenon 5.0 J	110 mA
X195-05WH	180-265v Ac $\sim$	Xenon 5.0 J	110 mA
<b>10 Joules Version</b>			
X197-02WH <b>NEW</b>	24v Dc $\sim$	Xenon 10.0 J	650 mA •
• At 24v Dc $\sim$			



Kg 0.25

50 Hz

$^{\circ}\text{C}$  -25+45

IP 65

FPM 60

INDUSTRIAL

APPROVED AND CONFORMITIES



ADD THE FOLLOWING LENS CODES TO THE PRODUCT WHEN ORDERING

01

02

03

04

05



FIRE