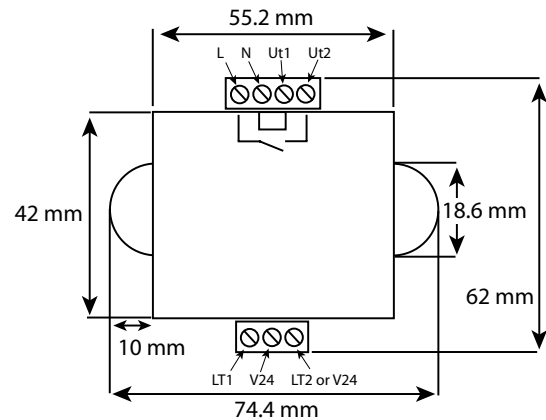


# Miscellaneous Telephone Relay ACCESSORIES



## Telephone Relay > TR59 Series

### Product overview

The telephone relay can direct a telephone ringtone to a separate, more powerful visual or audible

signal making it ideal for noisy environments.

The product has a small footprint making it suitable for discreet and unobtrusive wall-mounting.

LT1-LT2 Telephone Line In  
V24-V24 External Auxilliary Control  
Ut1-Ut2 Exit to Unit  
NL Power In  
(N and Ut1 common connection)

## TR59 Series > Ordering Information

Code No:	Voltage:	Current:
TR59005	5-250v Ac/Dc ---	5 A

### Features

- Unit draws its power direct from phone line
- The auxilliary 24v input means the unit can be controlled by using other methods
- IP21

**Kg** 0.52

50/60 Hz

°C -20+80

**IP** 21

**INDUSTRIAL**

APPROVALS and  
CONFORMITIES

