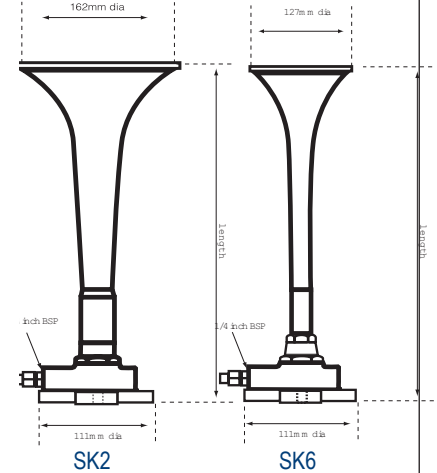


MARINE INDUSTRIAL AIRHORNS



ACOUSTIC



Acoustic Signals Industrial Air Horns > SK Series

Product overview

The SK Series of air horns are manufactured from non-ferrous materials which offer high corrosion and weatherproof resistance for use in railway and marine applications as well as

general purpose signalling. Operated from a compressed air supply, their powerful high output low frequency sound cuts through background noise to provide an effective warning. Optional compressor available for applications which do not have an on-site air supply.

Features

- Continuous signal
- Optional compressor if no direct air supply available
- 120-134 dB at 1m
- Robust construction
- Easy to install
- IP66

Material

Brass/Phosphur bronze

Code No:	Length:	dB:	Air Consumption:	Air Pressure:	Rating:
APSK6-GM	341mm	132	50-100 L/min	50-100 psi	Continuous
APSK2-GM	358mm	120	50-100 L/min	10-30 psi	Continuous
APSK2-EM	435mm	134	50-100 L/min	10-30 psi	Continuous
APSK6-EM	437mm	124	50-100 L/min	50-100 psi	Continuous

Code No:	Voltage:	Static Pressure:	Current:
APSK-Compressor	24v Dc	14 psi	20 A

(49mm o/d, 116mm L, 0.41 kg) To obtain optimum dB performance the airhorn may require fine tuning when used with a compressor.



Kg 1.80

GM 370 Hz

EM 315 Hz

IP 66

dB 120-134

INDUSTRIAL

APPROVED AND
CONFORMITIES



MARINE