



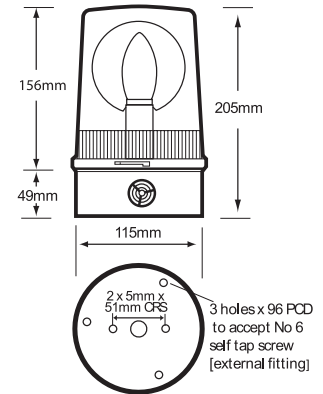
Visual Signals ROTATING BEACONS

Industrial Rotating Beacons > RA201/200 Series

Product overview

The RA201/200 Series uses a parabolic reflector which, driven by an electric motor, revolves around a continuously illuminated lamp on the vertical axis of the beacon creating a powerful beam of light travelling through 360 degrees.

Generally, this type of beacon has a greater degree of light output than other models but this is off-set by the fact that the parabolic reflector only illuminates one given point at a time. The RA series also incorporates a Piezo Buzzer producing 95dB, giving the user two signals in one unit.



Features

Continuously rated

Suitable for use with conduit BESA box

Suitable for surface or wall mounting

Optional wall bracket & protection guard available - see accessory page

Twin belt drive system

Two signals in one unit

IP65

Material

UV Stable Polycarbonate Lens

UV Stable ABS Mounting Base

Code No:	Voltage:	Light Source:	Current:
RA201-20	12v Dc ---	H1 x 55w	4.70 A
RA201-21	24v Dc ---	H1 x 70w	3.00 A
RA201-64	48v Dc ---	Ba15d x 35w	0.55 A
RA200-03	24v Ac ~	Ba15d x 48w	2.00 A
RA200-02	48v Ac ~	Ba15d x 35w	0.55 A
RA200-24	115v Ac ~	Ba15d x 60w	0.55 A
RA200-25	230v Ac ~	Ba15d x 60w	0.29 A



Kg 0.86

50 Hz

°C -10+55

IP 65

RPM 160±30 Dc

RPM 120 Ac

APPROVED AND CONFORMITIES



ADD THE FOLLOWING LENS CODES TO THE PRODUCT WHEN ORDERING

01 02 03 04 05

INDUSTRIAL

dB 95