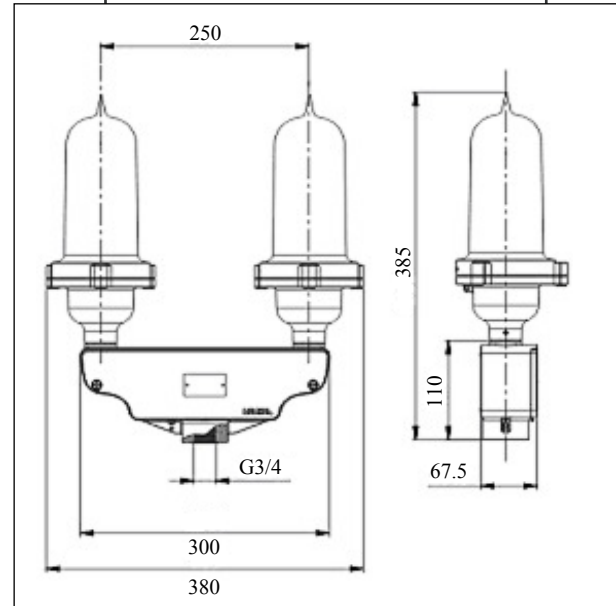
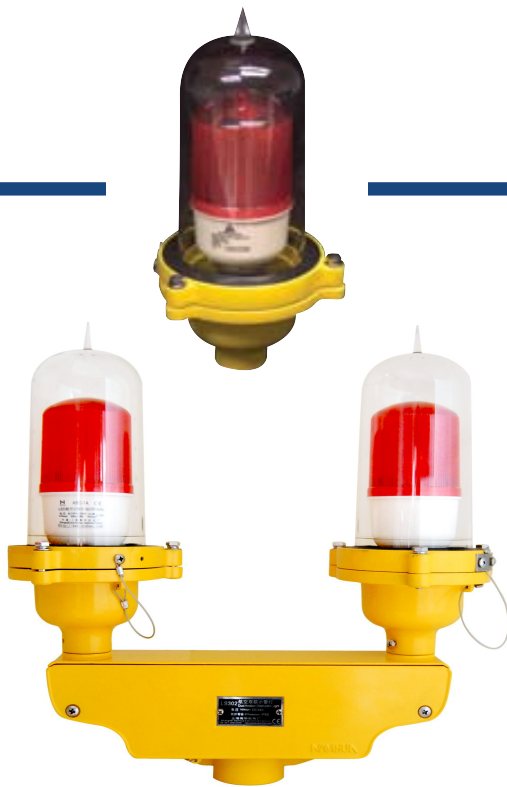


Visual Signals OBSTACLE LIGHTING

BEACONS



Obstacle Light : Low intensity > Product overview

The OL 10 & 32 Candela series of LED low intensity aircraft warning lights incorporate a cost effective array inside a Cast metal lamp holder & toughened glass lens for harsh environmental conditions. A power rating of less than 8 watts lends itself to photo cell control which is an optional extra with this series. The twin version gives a standby light option in case of power or lamp failure.

Features

Conforms to ICAO Annexe 14 Volume 1 steady, red, low intensity Type A & Type B Beacons

Also conforms to FAA and CAA requirements

Low maintenance

200cd version available

Photocell option available

Material

Cast aluminium LM6M base & stainless steel hardware.

Toughened glass lens

Beacon Dome is UV stable polycarbonate.

Code No:	Voltage:	Light Source:	Current	Peak CD:
OLF-02-10-02	30-60v Dc	Super bright LEDs		10cd
OLS-02-10-02	30-60v Dc	Super bright LEDs		10cd
OLF-04-10-02	115-230v Ac	Super bright LEDs		10cd
OLS-04-10-02	115-230v Ac	Super bright LEDs		10cd
OLF 02-32-02	30-60v Dc	Super bright LEDs		32cd
OLS 02-32-02	30-60v Dc	Super bright LEDs		32cd
OLF 04-32-02	115-230v Ac	Super bright LEDs		32cd
OLS 04-32-02	115-230v Ac	Super bright LEDs		32cd



Kg 1.15/4.0

°C -30+70

50/60 Hz

IP 65



APPROVAL AND CONFORMITIES

ICAO Conforming

