

Visual Signals OBSTACLE MARKING BEACONS

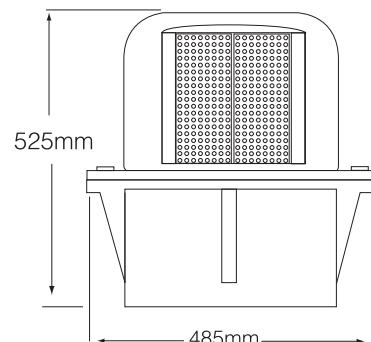


Obstacle Marking: Medium Intensity Lights > 2000 Candela

Product overview

The LED 2000 Series conforms to the requirements of the ICAO for aviation obstruction marking. Designed for use on tall buildings, masts and pylons making it ideal for remote or inaccessible locations. The LED pentagon

shaped tower incorporating 800 high power LEDs, allows for a perfect 360° beacon which can be visible over 15 miles in optimum weather conditions. 3 metres of 1.5 SY steel braided cable is supplied attached to the beacon assembly making entry to the beacon unnecessary.



Features

Conforms to ICAO regulation Annex 14 Volume 1 for steady, Medium intensity Type C beacons

Low maintenance

Long life

360° visibility

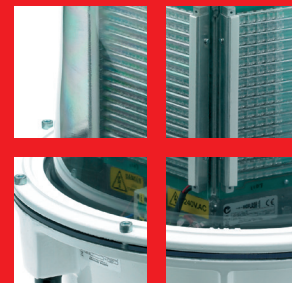
IP66, 67

Material

Cast Aluminium

UV Stable Polycarbonate Lens

Code No:	Voltage:	Light Source:	Effective:
LED-04-2000-02	230v Ac ~	LED output	2000



Kg 19

50/60 Hz

°C -40+55

IP 66, 67



APPROVED AND CONFORMITIES



ADD THE FOLLOWING LENS CODES TO THE PRODUCT WHEN ORDERING

02