

Visual Signals OBSTACLE MARKING BEACONS

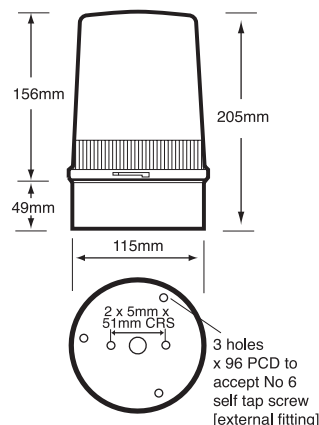


Obstacle Marking: Low Intensity Lights > 10 & 32 Candela Series

Product overview

This range of Obstacle Lights have been designed to offer a more cost effective option for compliance to the low intensity ICAO regulations. The 10 and 32 Candela both incorporate low consumption Red LED arrays.

A power rating of 8 watts for the 10 Cd and 12 watts for the 32Cd lend themselves for use with photocell control if required. The typical application is marking fixed objects in or around aerodromes where the object is a less extensive one and its height above the surrounding ground is less than 45m. These beacons can be used in conjunction with medium and high intensity lights.



Features

Conforms to ICAO Annexe Volume 1, Low Intensity Type A (10Cd) & Type B (32Cd)

Other voltage ranges available

Accessories include 50001 mounting bracket & 50010 cage guard

IP66

Material

UV Stable Polycarbonate

Lens & Base

Stainless Steel Sealing Band

Code No:	Voltage:	Light Source:	Mode:	Current:	Effective Candela:
OLS-02-10-02	24v Ac/Dc	LED	Static	0.33 A	10
OLS-03-10-02	48v Ac/Dc	LED	Static	0.16 A	10
OLF-02-10-02	24v Ac/Dc	LED	Flashing	0.33 A	10
OLS-04-10-02	230v Ac/Dc	LED	Static	0.04 A	10
OLS-02-32-02	24v Ac/Dc	LED	Static	0.50 A	32
OLS-03-32-02	48v Ac/Dc	LED	Static	0.24 A	32
OLF-02-32-02	24v Ac/Dc	LED	Flashing	0.50 A	32
OLS-04-32-02	230v Ac/Dc	LED	Static	0.05 A	32



Kg 0.6

50/60 Hz

°C -20+45

IP 66

FPM 60/90

ICAO OBSTACLE MARKING

APPROVED AND CONFORMITIES

