

Visual Signals LIGHT EMITTING DIODE BEACONS



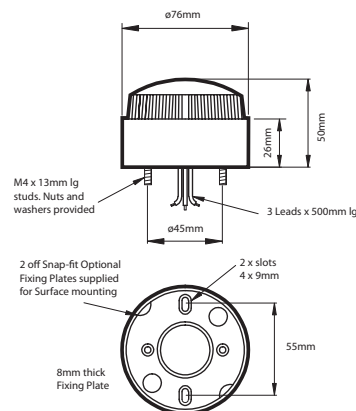
Industrial LED Dual Function > LED80 Series

Product overview

The LED80 incorporates 12 ultra bright Surface Mount LEDs offering an economic solution for a wide range of general signalling solutions. Ideally suited for local indication the beacon is controlled by either two

wires (flashing mode) or three (static mode). The beacons are supplied fully assembled and ready for immediate installation.

The unit offers two mounting options, either Stud Mount or Surface Mounting using the two piece fixing plate supplied. One plate is fixed to the appropriate surface the other to the beacon, the two plates then 'Snap Fit' together.



Features

- LED long life
- Continuously rated
- Extra bright
- Wide operating voltage
- 180° visibility
- Economical
- IP67

Material

UV Stable Polycarbonate
Lens and Body

| Code No: | Voltage: | Light Source: | Current: | |
|----------|----------------|---------------|-----------------|-------------------------------------|
| LED80-02 | 10-100v Dc --- | LED Array | 90 mA 200 mA | Flashing Static at 24v Dc --- |
| LED80-04 | 115/230v Ac ~ | LED Array | 20 mA | |



Kg 0.14

°C -20+55

IP 67

FPM 60

INDUSTRIAL

FIRE

APPROVED AND
CONFORMITIES



ADD THE FOLLOWING LENS CODES
TO THE PRODUCT WHEN ORDERING

01 02 03 04

MARINE