

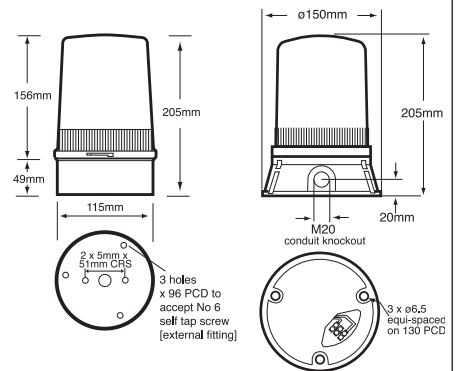
# Visual Signals LIGHT EMITTING DIODE BEACONS



LED201/200 Series



LED401/400 Series



## Industrial LED Flashing Rotating Static Beacons > LED201/200 & LED401/400 Series

### Product overview

The LED201/200 and LED401/400 Series incorporates 144, ultra bright single colour LEDs. These beacons offer long life, low current consumption and are virtually

maintenance free. Suitable for fire, security and industrial applications. Both ranges offer static, flashing or rotating options by use of a jumper switch.

### Features

LED long life

Continuously rated

Suitable for use with conduit  
BESA box - LED201/200

Suitable for surface  
or wall mounting

Optional wall bracket &  
protective guard available  
- see accessory page

360° visibility

3 point DIN fixing - LED401/400

IP65

### Material

UV Stable Polycarbonate Lens

UV Stable ABS Plastic Base

Code No:	Voltage:	Light Source:	Current:		
			Flashing	Rotating	Static
<b>LED201/200 Series</b>					
LED201-02	24v Dc ---	LED Array	0.05	0.10 •	0.50 A
LED200-04 •	115/230v Ac ~	LED Array	0.07	0.03 •	0.07 A
<b>LED401/400 Series</b>					
LED401-02	24v Dc ---	LED Array	0.05	0.10 •	0.50 A
LED400-04 •	115/230v Ac ~	LED Array	0.07	0.03 •	0.07 A

• Pre-set to 230v Ac ~ • 2 Bar Rotating



**Kg** 1.0 Ac  
0.6 Dc

50/60 Hz

°C -20+45

IP 65

FPM 60

RPM 120

APPROVED AND  
CONFORMITIES



ADD THE FOLLOWING LENS CODES  
TO THE PRODUCT WHEN ORDERING

01 02

INDUSTRIAL

FIRE