

Visual Audible Signals EXPLOSION PROOF BEACONS

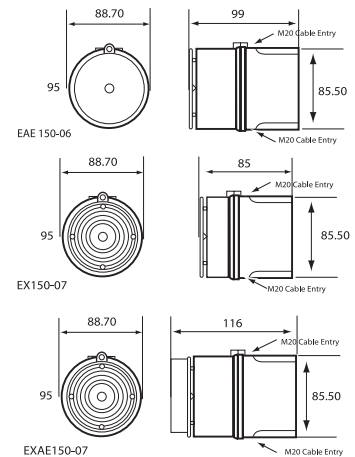


Intrinsically Safe Signal Range > LED Sounder Combination Signals

Product overview

Comprising of an alarm sounder with three alarm stages, a LED beacon fitted with 6 high intensity LEDs and a combined unit. These units need to be used with a

suitable zener barrier whose output parameters do not exceed V_o 28v Dc, I_o 93mA, P_o 660mW or form any galvanic isolator specified by the system certificates.



Features

Rated for Zone 0

ATEX approved



II 1G EEx ia IIC T4

40 tones

100dB @ 1m

Volume control

2 x 20mm cable entries

IP65

Material

Flame Retardant ABS UL 94 VO

Code No:	Voltage:	Light Source:	Current:
EAE150-06	16-28v Dc ---		25 mA
EX150-06	16-28v Dc ---	LED Array high intensity	25 mA
EXAE150-06	16-28v Dc ---	LED Array high intensity	48 mA
EX150-ZB	16-28v Dc ---	Zennerbarrier	



Kg 0.2 to 0.3

°C -40+60

IP 65

dB 100

EXPLOSION PROOF

APPROVED AND
CONFORMITIES



ADD THE FOLLOWING LENS CODES
TO THE PRODUCT WHEN ORDERING

01 02 03 04 05