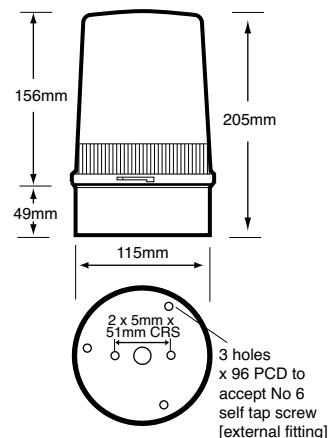


# Visual Signals LIGHT EMITTING DIODE

## BEACONS



## Industrial LED Flashing | Rotating | Static Beacons > LED201/200 Series

### Product overview

The LED201/200 Series incorporates 144, ultra bright single colour LEDs. These beacons offer long life, low current consumption and are

virtually maintenance free. Suitable for fire, security and industrial applications. The LED201/200 offers static, flashing or rotating options by use of a jumper switch.

### Features

Long Life

Continuously rated

Suitable for surface or wall mounting

Optional wall bracket & protective guard available - see accessory page

Suitable for conduit BESA box mounting

360° visibility

IP65

### Material

UV Stable Polycarbonate Lens

UV Stable ABS Plastic Base

Code No:	Voltage:	Light Source:	Current:		
			Flashing	Rotating	Static
LED201-02	24v Dc ---	LED Array	0.05	0.10*	0.50 A
LED200-04*	115/230v Ac ~	LED Array	0.07	0.03*	0.07 A

\*Preset to 230v AC ~

\*2 Bar Rotating



**Kg** 1.0Ac 0.6Dc

**50/60 Hz**

**°C** -20+45

**IP** 65

**FPM** 60

**RPM** 120

APPROVAL AND CONFORMITIES



ADD THE FOLLOWING LENS CODES TO THE PRODUCT CODE WHEN ORDERING

**01**

**02**

**INDUSTRIAL**

**FIRE**