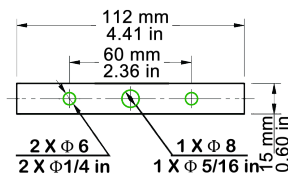
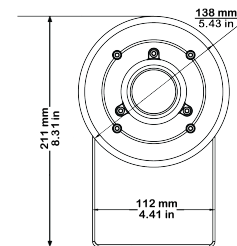
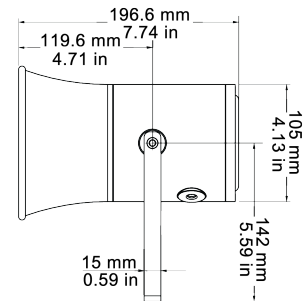


# Acoustic Signals - Industrial ELECTRONIC SOUNDER



## Acoustic Signals Electronic Sounder > AE100M Series

### Product overview

The AE100M series is suitable for Industrial & marine signalling applications where an audible signal is required to operate in very harsh environmental conditions.

The unit incorporates a three stage alarm option with sixty tones to choose from.

All tones can be pre-set during installation.

The units also have the ability to be fitted with a telephone initiation function and can be used as the second ring output indicator for telephones when installed in very noisy environments.

The design allows for termination inside the enclosure.

The sounder is supplied with a mounting bracket as standard.

### Features

- Continuously rated
- Very high sound output
- 5-20 W power consumption
- Termination up to 2.5 mm<sup>2</sup>
- 2 x M20 cable entry options
- Deep base version - Dustproof & Weatherproof

### Material

Enclosure: UV Stable, Flame retardant polycarbonate

Bracket: Stainless 316

## AE100M Series > Ordering Information

Code No:	Voltage:	Frequency:	Current:
AE100M-02	12-48v Dc ---	300 - 2900 Hz	0.91 / 0.96 / 0.50 A
AE100M-04	100-240v Ac ~	300 - 2900 Hz	100 mA •

• at 230v Ac ~

•• Sound Output - Up 115 dB at 1 Metre (+/-3dB) tone dependant

**Kg** 1.5

**50/60 Hz**

**°C** -40+70

**IP** 66

**dB** 115 ••

**INDUSTRIAL**

APPROVALS and CONFORMITIES



**MARINE**