

Visual Signals

AIRPORT VEHICLE WARNING

BEACONS

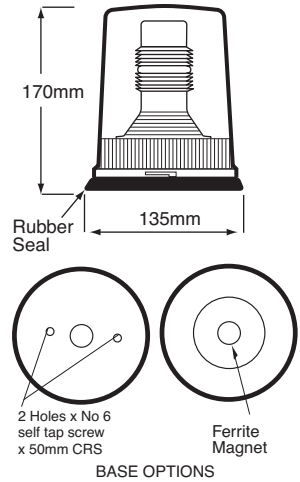


Airport Vehicle Warning Beacons > FF98 Series

Product overview

The FF98 Series operates through an internal circuit which simply cycles the lamp On and Off. Suitable for airport use, the FF98 series conforms to Civil Aviation Authority 'CAP 168' requirements for vehicle warning lights when fitted with

an amber lens. The FF98 is available as either a permanent fixed unit or with a magnetic base and vehicle lighter socket lead for temporary and occasional use. This is ideal for when the beacon is not required to be fixed permanently to the roof of the vehicle.



Features

- Continuously rated
- Conforms to CAP 168 with Amber Lens
- Choice of magnetic or fixed mounting options
- 360° visibility
- IP65

Material

UV Stable Polycarbonate Lens
Acetal Base with Neoprene Cover

Code No:	Voltage:	Light Source:	Current:
----------	----------	---------------	----------

FLASHING FILAMENT MB (Magnetic Base)

FF98-34	12v Dc ---	Ba15d x 21w	1.75 A
FF98-38	24v Dc ---	Ba15d x 21w	0.88 A

FLASHING FILAMENT SF (Fixed Base)

FF98-37	12v Dc ---	Ba15d x 21w	1.75 A
FF98-39	24v Dc ---	Ba15d x 21w	0.88 A



Kg 1.00 MB

Kg 0.65 SF

°C -25+66

IP 65

FPM 60

AUTOMOTIVE

APPROVAL AND CONFORMITIES



CAP168

ADD THE FOLLOWING LENS CODES TO THE PRODUCT CODE WHEN ORDERING

01

02

03

04

05