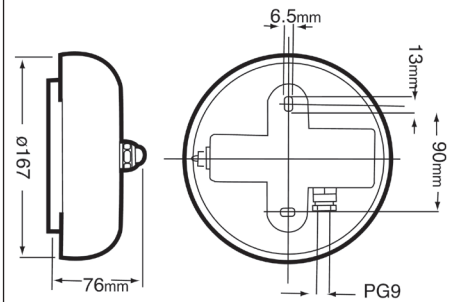




# INDUSTRIAL MARINE BELL

## ACOUSTIC



## Acoustic Signals Industrial & Marine > IP66 Bells Series

### Product overview

The IP66 bell is a fully enclosed signal bell. It is suitable for areas where harsh weather conditions exist, such as exposed outdoor

locations, marine applications and wash/hose down areas. The solenoid driven mechanism produces a clear, loud tone.

### Features

High quality penetrating sound

103 dB

Suitable for harsh weather conditions

IP66

### Material

Steel Gong

Code No:	Voltage:	Current:
A6B-12DC-IP66	12v Dc ---	0.60 A
A6B-24DC-IP66	24v Dc ---	0.30 A
A6B-115AC-IP66	115v Ac ~	0.11 A
A6B-230AC-IP66	230v Ac ~	0.05 A



**Kg** 1.0

**°C** -30+50

**IP** 66

**dB** 103

**CONTINUOUS**

**INDUSTRIAL**

APPROVED AND CONFORMITIES



**MARINE**