

BRACKETS
50001>50160

50001 Right Angled Wall Bracket
Suitable for use with 88, 125 & 201/200 series beacons

50004 Right Angled Wall Bracket
Suitable for use with 401/400, 501/500, 600 & X250 series beacons

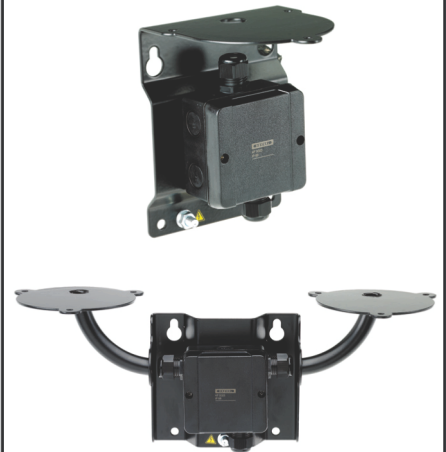
50006 Pipe Bracket
Suitable for use with 401/400, 501/500, 600 & X250 series beacons

50159
Single Bracket with Cable Box ICAO

Suitable for use with LED 501/500 & X250 series beacons

50160
Double Bracket with Cable Box ICAO

Suitable for use with LED 501/500 & X250 series beacons



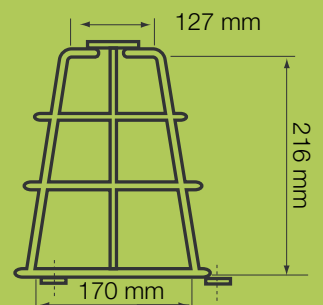
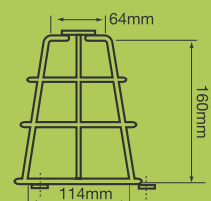
CAGE GUARDS
50003>50010

50003 Small Cage Guard

50003/1 Optional Mounting Plate
Suitable for use with 125 series beacons

50010 Large Cage Guard

50010/1 Optional Mounting Plate
Suitable for use with 201/200, 401/400 & 501/500 series beacons

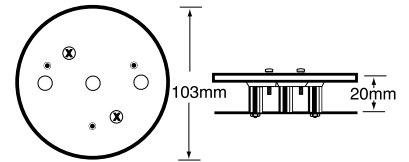


ANTI - VIBRATION MOUNT

50080



50080 Anti-Vibration Mount
Suitable for use with 88, 125, 201/200 series beacons



SPARE LENS COVERS

50018>50022

50018 Red Lens

50019 Amber Lens

50020 Blue Lens

50021 Green Lens

50022 Clear Lens

All suitable for use with 125 series beacons only



SPARE LENS COVERS

50064>50068

50064 Red Lens

50065 Amber Lens

50066 Blue Lens

50067 Green Lens

50068 Clear Lens

All suitable for use with 88, 98, 201/200, 401/400 & 501/500 series beacons

