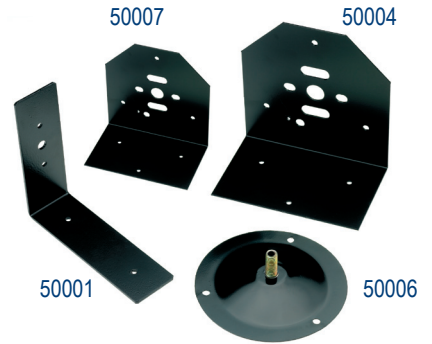


# Miscellaneous

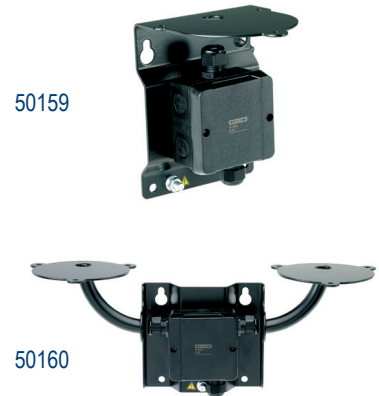
## ACCESSORIES

### Brackets > 50001>50160

- 50001 Right Angled Wall Bracket**  
Suitable for use with 88, 125 & 201/200 series beacons
- 50004 Right Angled Wall Bracket**  
Suitable for use with 401/400, 501/500, 600 & X250 series beacons
- 50006 Pipe Bracket**  
Suitable for use with 401/400, 501/500, 600 & X250 series beacons
- 50007 Right Angled Wall Bracket**  
Suitable for use with 125 & 125DIN series beacons

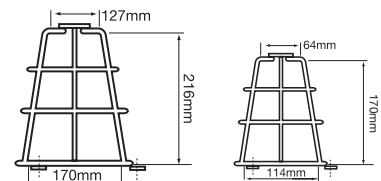


- 50158 IP66 Weatherproof Band**  
Suitable for use with 201/200 series beacons (not shown)
- 50159 Single Bracket with Cable Box ICAO**  
Suitable for use with LED501/500 & X250 series beacons
- 50160 Double Bracket with Cable Box ICAO**  
Suitable for use with LED501/500 & X250 series beacons



### Cage Guards > 50003>50010

- 50003 Small Cage Guard**  
Suitable for use with 125 series beacons
- 50003/1 Optional Mounting Plate**  
Suitable for use with 125 series beacons
- 50010 Large Cage Guard**  
Suitable for use with 201/200, 401/400 & 501/500 series beacons
- 50010/1 Optional Mounting Plate**  
Suitable for use with 201/200, 401/400 & 501/500 series beacons

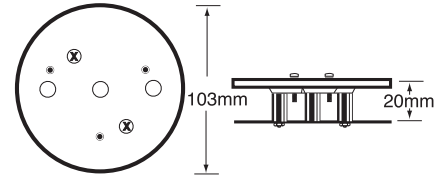


**Please Note:** Brackets and Cage Guards are not interchangeable at this present time.

## Anti-Vibration Mount > 50080



**50080 Anti-Vibration Mount**  
Suitable for use with 88, 125,  
201/200 series beacons



## Spare Lens Covers 50018>50022

- 50018** Red Lens
- 50019** Amber Lens
- 50020** Blue Lens
- 50021** Green Lens
- 50022** Clear Lens

**Please Note:**  
Suitable for use with 125 series beacons only



## Spare Lens Covers 50064>50068

- 50064** Amber Lens
- 50065** Red Lens
- 50066** Blue Lens
- 50067** Green Lens
- 50068** Clear Lens

**Please Note:**  
Suitable for use with 88, 98, 201/200,  
401/400 & 501/500 series beacons

