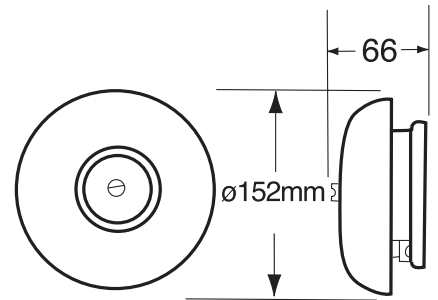




FIRE BELL ACOUSTIC



Acoustic Signals Fire Bell > A6FB Series

Product overview

The A6FB is an economy bell suitable for fire alarm signalling applications. It produces the traditional alarm bell sound and offers easy installation. The bell

has the following mounting options: 50mm and 60mm pitch holes suitable for BESA box mount; 4" square or single mount Gang Box.

Features

- Diode polarised
- 98+3 dB
- Terminal allows for 2+ and 2- cabling, up to 2.5mm²
- IP42

Material

- Steel gong
- Plastic back box

Code No:

Voltage:

Current:

A6FB-24DC-DP

18-28v Dc ---

15mA
at 24v Dc ---



Kg 0.5

°C -20+45

IP 42

dB 98₊₃



APPROVED AND
CONFORMITIES

